

T-BERD® 307

Communications Analyzer



Rugged, Powerful, & Portable.



You need all this from a field test instrument to effectively install and maintain your expanding DS3-based services. TTC's T-BERD 307 meets all your needs...and more.

This handheld test instrument is specifically designed and powerfully engineered to comprehensively test DS3 and the host of new communications technologies DS3 supports, including wireless communications, video conferencing, distributed data processing, and workstation-based graphics.

The T-BERD 307 goes wherever it is needed. Test from the central office to the customer premises, and anywhere in-between. Monitor and analyze DS1 tributaries at DS3 access points. Troubleshoot DS1/DS0 signals while verifying DS3 circuits. Simulate network equipment and loopback customer equipment.

The T-BERD 307 fully tests DS3 and DS1 circuits simply and easily by automatically configuring instrument setup to save you time and money.

- **Identify Timing Problems**

Quickly identify timing impairments, a common source of errors in asynchronous and synchronous networks. Access the DS1 timing reference from DS3 or DS1 access points.

- **Easily Test Far-End Equipment**

Automatically loop up the far-end and verify if data is being properly received on specified DS1 channels by transmitting C-bit FEAC or DS1 loop codes. Results and alarms are immediately visible on the front panel.

- **Troubleshoot DS3 and DS1 Channels**

Simulate a multiplexer or a 3:1 cross-connect for DS3 and DS1 circuit qualification. Test patterns, tones, or loop codes can be inserted on one or all DS1 channels for additional testing flexibility. DS1 channels can be dropped from the received DS3 signals to test and monitor.

- **Test from a Variety of Access Points**

Unmatched flexibility to test from multiple access points in the network. Test tributaries at DS3 access points or use as a stand-alone DS1 test instrument.

- **Monitor VF Channels**

Listen to individual channels and monitor ABCD signaling bits on all 24 channels when troubleshooting DS0 problems. Measure VF level and frequency with the channel monitor feature.

- **Maximize Stress Testing**

Transmit and receive pre-programmed, long user-patterns including 55 OCTET and T1 DALY.

- **Reduce Setup Time**

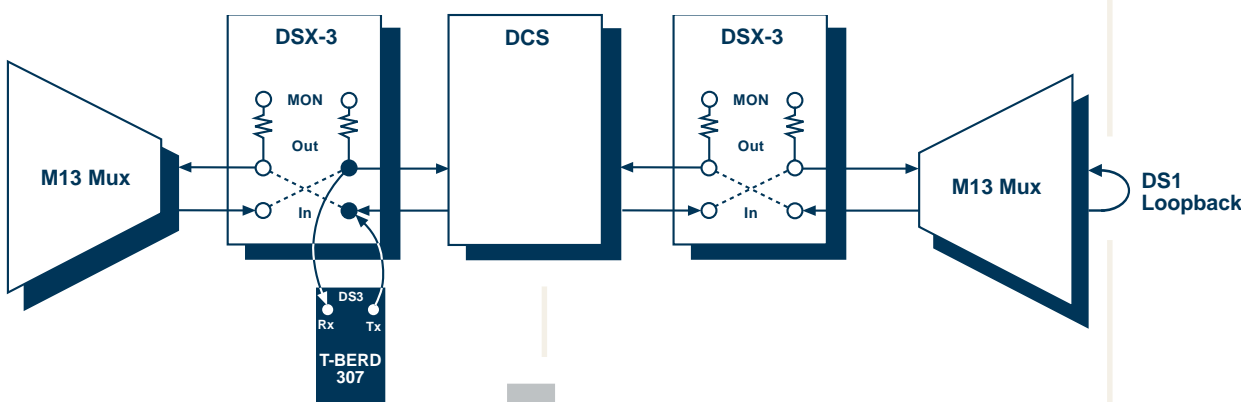
The automatic configuration feature immediately determines the proper framing and pattern so the technician can quickly monitor live circuits.

- **Combine Convenience with Power**

Battery operated, rugged, and lightweight (4.2 lbs.), this test set is ideal for the field service technician.

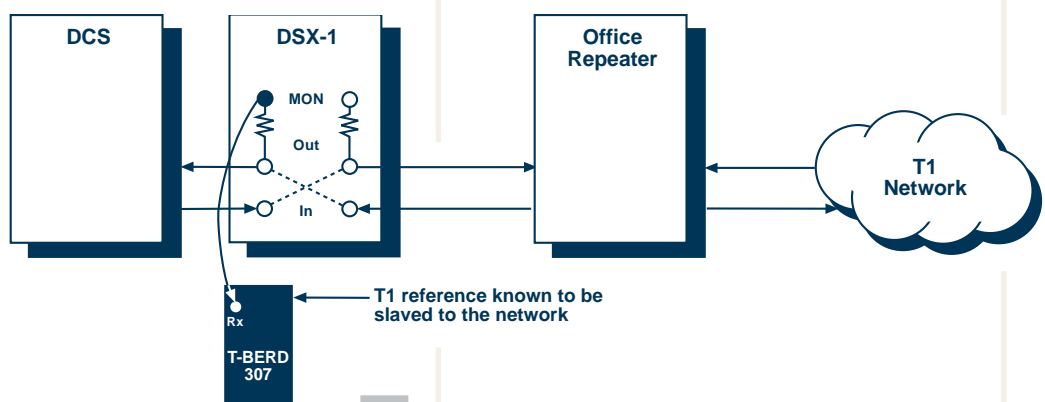


The T-BERD 307's flexible architecture enables you to take it anywhere.



Multiplexed DS3 Patterns

Simulates 3:1 multiplexer or cross-connects for DS3 and DS1 circuit qualification. Test patterns, tones, loop codes, or errors can be inserted on one or all DS1 channels for additional testing flexibility. DS1 channels can be externally analyzed or dropped from the received DS3 signal.



Isolate Network Synchronization Problems

Timing problems are easily identified. Compare T1 circuit against a network reference clock to isolate timing slips.

Warranty and Repair Service

TTC repair excellence starts with a three-year warranty on all mainframes and options and includes repair and calibration capabilities worldwide. We also offer extended warranty options, as well as service/calibration plans to meet your unique needs. As part of our ISO-9000-approved quality system, our components are screened before installation and all instruments are operated at elevated temperatures and vibration levels before being shipped.

Technical Support

To complement our instruments and systems, TTC offers superior technical support. Our TAC engineers offer expert consultation on any technical problem from 8 a.m. to 8 p.m. Monday through Friday, EST (1-800-638-2049 or 1-301-353-1550).

Training

The right technical training makes everyone more productive and every test instrument more effective. Whether your goal is to shorten installation time, reduce downtime, or increase productivity, TTC's instructors provide practical, hands-on training tailored to your specific needs. And we can provide training at our facility (in Maryland, USA), or at any location you designate.

Specifications

Mainframe

Dimensions and Weight

Overall Dimensions:

8.5 x 4.24 x 3.25 in.
(21.6 x 10.8 x 8.3 cm)

Weight:

4.2 lbs. (1.9 kg)

Environment

Temperature Range:

Operating:

0° to 50° C (32° to 122° F)

Storage:

-40° to 75° C (-40° to 167° F)

Product Information

Model No.	Description
307	T-BERD DS3 Communications Analyzer
307-1	DS1 Analysis Option

TTC
Expect
Excellence®

Sales Offices

TTC United States

California, Colorado, Georgia, Illinois,
Maryland, New Jersey, Texas, Washington

TTC Subsidiaries

Canada, 905-507-4117; France, 33-1-30.48.83.90;
Germany, 49-6172.77055; Hong Kong, 852-2892-0990;
United Kingdom, 44-1734-759696



Telecommunications Techniques Corporation

20400 Observation Drive, Germantown, Maryland 20876
Tel. (800) 638-2049 • (301) 353-1550 (MD) • FAX (301) 353-0234
WWW Address: <http://www.ttc.com>