

# Keysight Technologies

## N7015A and N7016A Type-C Test Fixtures

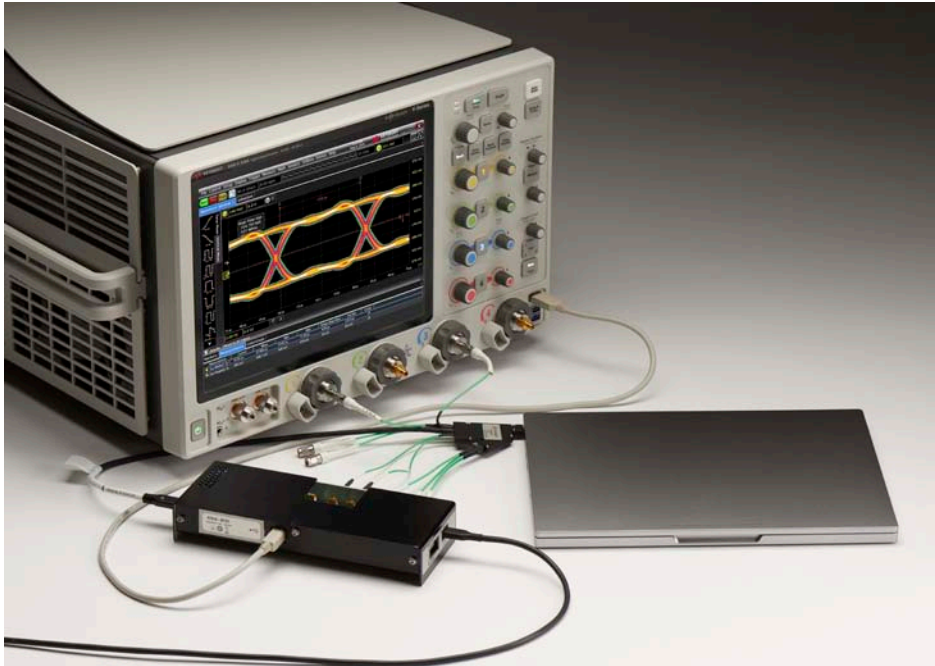
Data Sheet



Unlocking Measurement Insights

## Industry's Highest Signal Integrity Type-C Fixture

- 20 GHz bandwidth (at -3dB), de-embeddable up to 30 GHz
- Enables signal verification and debug of USB 3.1, DisplayPort 1.3, Thunderbolt 2/3
- Has test point and probing access for transmitter and power delivery measurements
- Provides the elements to seamlessly leverage Keysight's portfolio of compliance test applications
- Compatible with Infiniium 90000 X-Series, V-Series, Z-Series and discontinued Q-Series oscilloscopes



## Industry's Highest Signal Integrity Type-C Fixture

Get the most accurate measurements with the best signal integrity

The N7015A Type-C high-speed test fixture provides best-in-class performance up to 30 GHz of de-embeddable bandwidth, enabling signal verification and debug of USB 3.1 Gen 2 designs and other high-speed signal standards to support the Type-C connector.

The N7015A Type-C high-speed test fixture breaks out four differential lanes of high-speed protocol signals to an oscilloscope and passes low-speed power and control lines to a secondary fixture (N7016A Type-C low-speed signal access and control fixture) for monitoring and control. The flexible fixture combination enables signal accessibility and probing to a Type-C design that has a receptacle (for example, a USB 3.1 upstream or downstream facing port). The N7016A low-speed fixture manages power and control lines from the N7015A to support termination requirements and test configuration as well as connection to a power delivery controller.

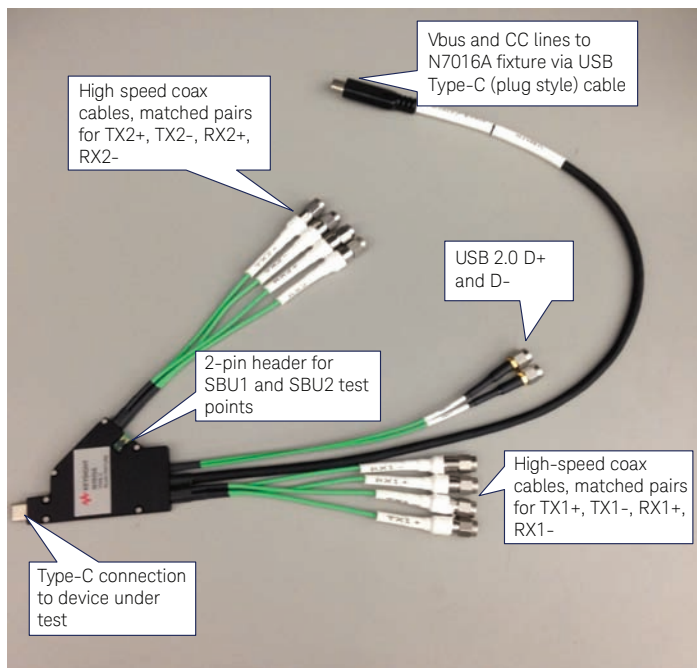


Figure 1. N7015A Type-C high-speed fixture.

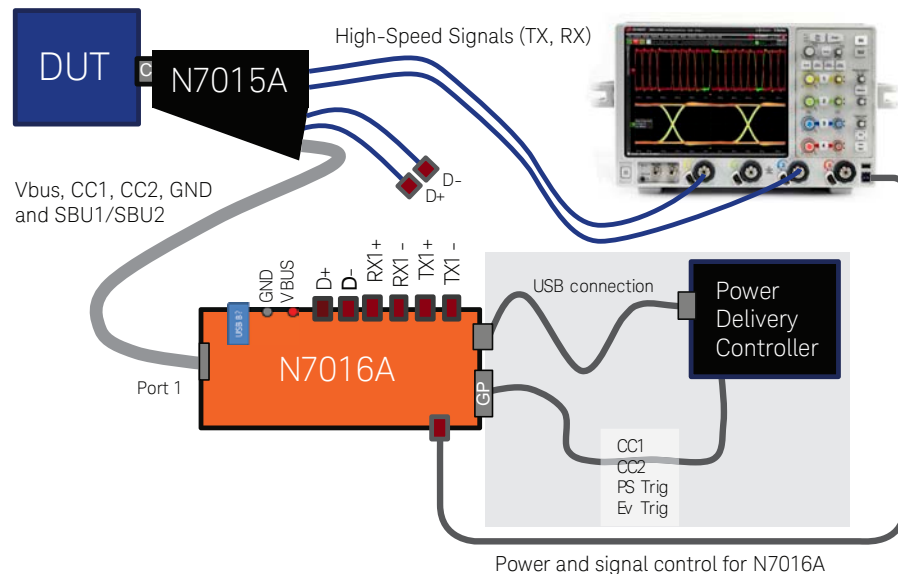


Figure 2. High-level test setup for Type-C connector.

As data rates increase, the effects of test fixtures and cabling during testing become a significant source of signal loss and impair accurate measurement of device performance. So, for accurate signal characterization in many high-speed compliance tests, de-embedding techniques are used to removing the effects of a test fixture from measurements to obtain the actual performance of the DUT. Best performance in overcoming the losses is achieved when the channel (in this case, the test fixture) is designed with minimum loss and care is taken in the characterization of the fixture through measurement of S-parameters. The N7015A is designed for the best signal integrity, and S-parameter models are available from Keysight that can be used in Keysight's Infiniium baseline software and industry's broadest portfolio of compliance test applications, including USB, DisplayPort, and Thunderbolt.

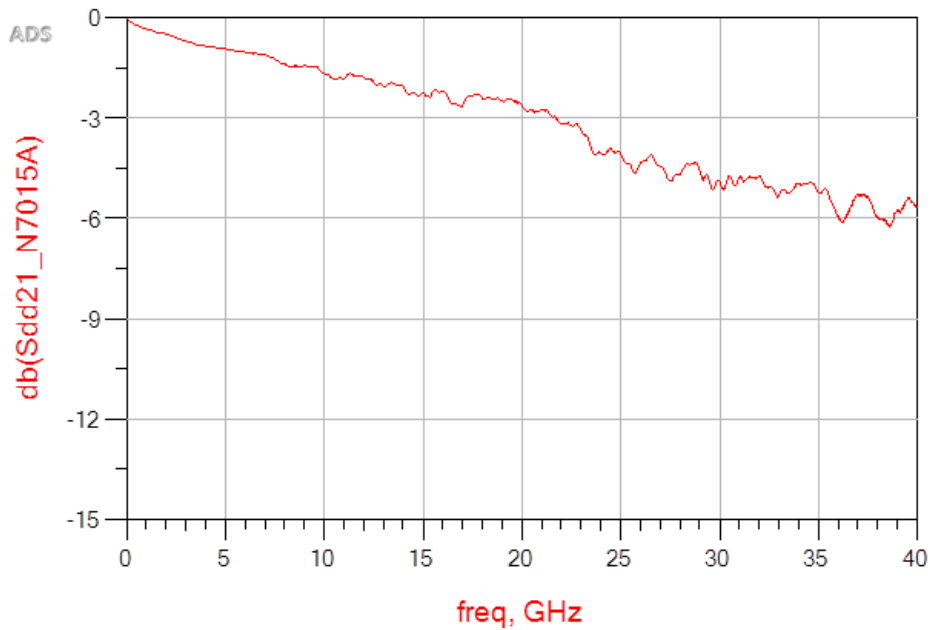


Figure 3. N7015A insertion loss (22 GHz @-3dB).

## Protect your investment with a robust and usable solution

The N7015A fixture is reversible, meaning the plug can be flipped 180 degrees and will still allow testing, without any damage or error. Its unique design allows two fixtures to be used side-by-side and/or top-to-bottom. Whether connected side-by-side or stacked, the fixtures meet the minimum spacing allowed for in the specification. Durable fixture design ensures multiple connections and disconnections without failure in an active test environment.

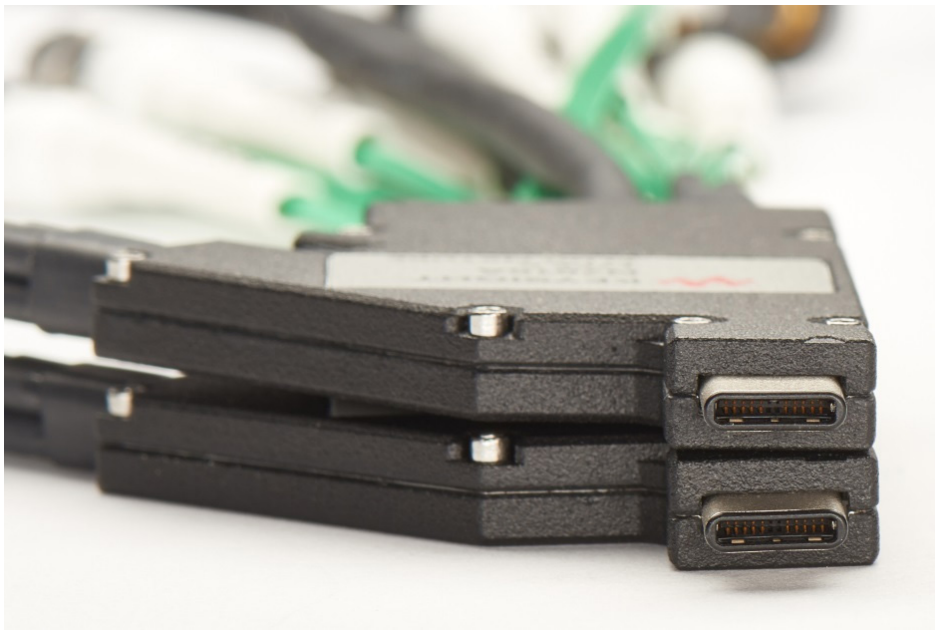


Figure 4. N7015A comes with a form factor to fit two fixtures top-to-bottom.

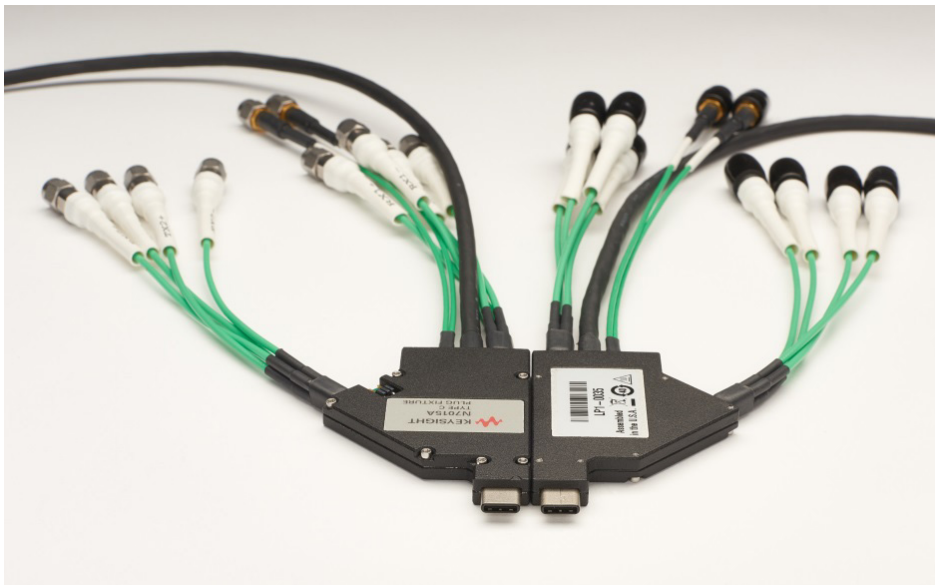


Figure 5. N7015A comes with a form factor to fit two fixtures side-by-side.

## N7016A Type-C low-speed fixture for power and control signal analysis

The N7016A Type-C low-speed signal access and control fixture is connected to the N7015A through a captive Type-C cable, conveying CC1, CC2, SBU1, SBU2, Vbus and ground signals. It allows the breakout of Type-C signals from USB devices for system diagnosis and control, and it also allows for CC1, CC2, Vbus signal probing with a high-impedance passive probe for in-depth signal analysis. The N7016A enables termination control for cable-only connection or to simulate upstream or downstream devices. It can simultaneously flip the connection electronically (i.e. change the active USB 3.1 high-speed port) and break out Vbus for driving with power controller or external supply. It can also load VConn to simulate system environment.

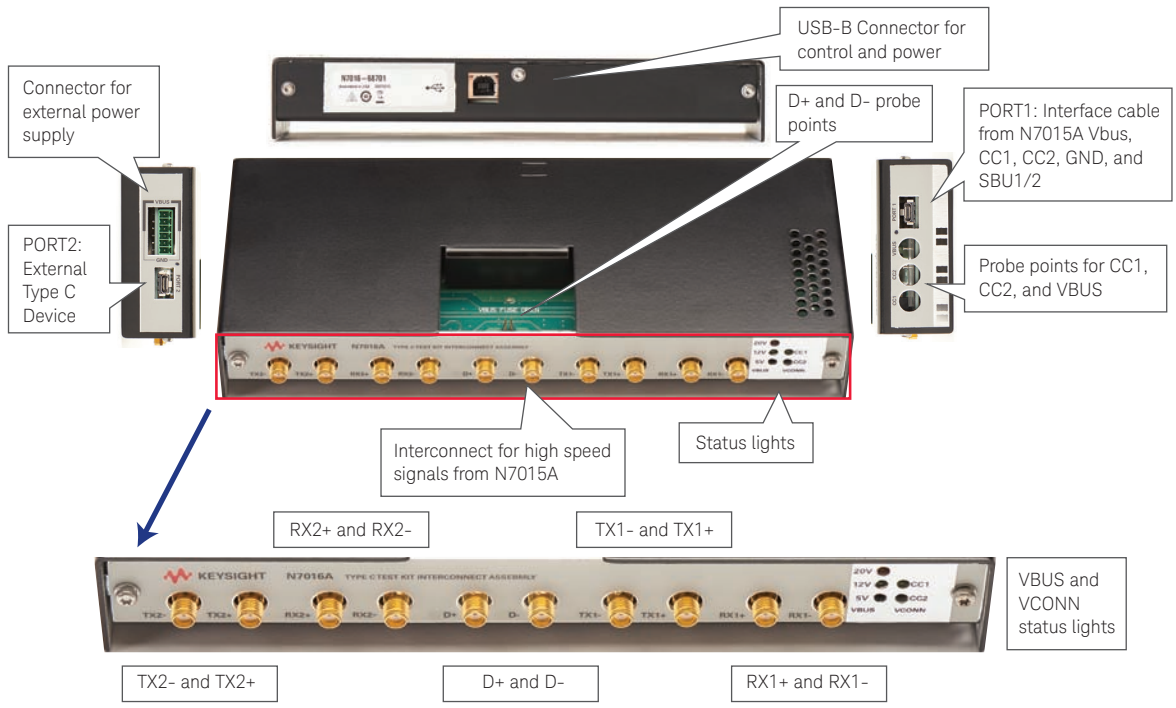


Figure 6. N7016A Type-C low-speed fixture.



Figure 7. The CC1, CC2 and Vbus signals can be conveniently probed from the N7016A using a Keysight passive probe.

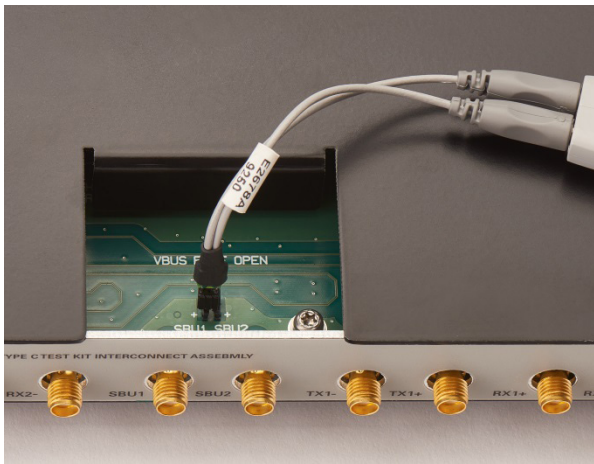


Figure 8. Use the E2678B socketed head with InfiniiMax I/II probe amp to probe D+/D- signals.



Figure 9. Use an external power supply to supply extended power (up to 5 A, 20 V) to the USB device. A power supply plug connector is included in the N7016A kit.

The N7016A Type-C low-speed test fixture requires the installation of a software controller to operate. The free controller software offered with the N7016A can be installed on a PC or the Infiniium oscilloscope itself for convenience. The controller software is downloadable from [www.keysight.com/find/USBTypeC](http://www.keysight.com/find/USBTypeC).

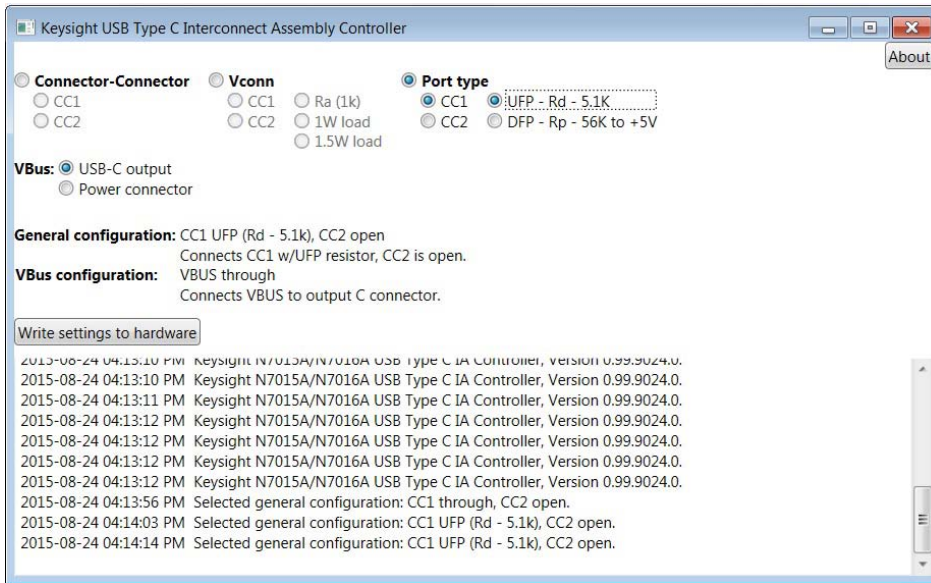


Figure 10. The controller software enables you to route CC lines with or without loading and Vbus through the interconnect assembly.

## Reduce test time with a configurable system

The N7015A/N7016A Type-C fixture solution can be a fully-automated power delivery management system with a third-party power delivery controller.

## Environmental and safety characteristics

Temperature	Operating: 0 to +55 °C Non-operating: -40 to +70 °C
Humidity	Operating: Up to 95% RH at or below +40 °C; up to 80% RH up to +65 °C Non-operating: Up to 90% RH up to 65 °C
Altitude	Operating: Up to 4,600 m (15,000 ft) Non-operating: 4,600 m
Safety	IEC 61010-1:2010 / EN 61010-1:2010 (3rd Edition)



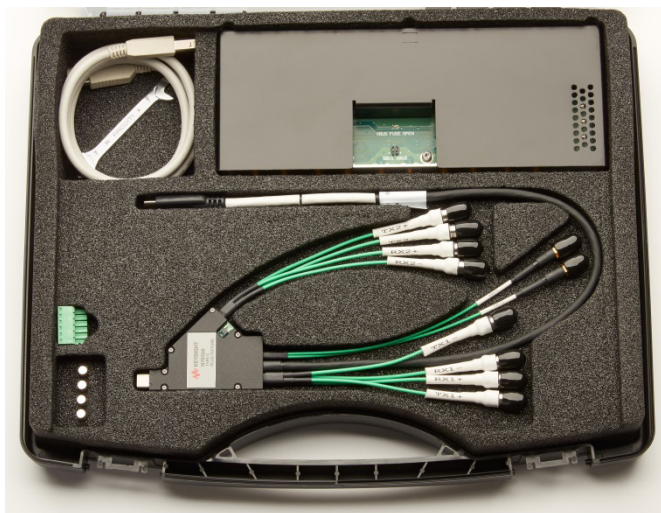
## Ordering Information

Model numbers	Description
N7015A	Type-C high-speed test fixture, includes wrench
N7015A-016	N7016A low-speed signal access and control fixture (discounted if purchased with N7015A)
N71016A	Type-C low-speed signal access and control fixture, includes USB cable, replacement fuses (x4), and power supply plug connector

## Other Recommended Probes and Accessories

Model numbers	Description
1130A	InfiniiMax 1130A 1.5 GHz probe amplifier
E2678B	Socketed probe head for InfiniiMax I/II amp
N2871A	200 MHz 10:1 passive probe
N1021-60003	1m phase matched 2.92 mm cable pair (2.92 mm male to 2.92 mm male)
11904B	Test port adapter for connecting 2.4 mm (m) to 2.92 mm (m)
11742A	DC blocking capacitor
83059B	Coax connector saver adapter, 3.5 mm (f) to 3.5 mm (f)
N2787A	3D probe positioner
8710-1765	Torque wrench, 8 lbs, 5/16 inch (for connecting N7015A to the scope input)

For more information about the N7015A/N7016A Type-C test fixture solution, check out [www.keysight.com/find/USBTypeC](http://www.keysight.com/find/USBTypeC).



From Hewlett-Packard through Agilent to Keysight  
 For more than 75 years, we've been helping you unlock measurement insights.  
 Our unique combination of hardware, software and people can help you reach  
 your next breakthrough. Unlocking measurement insights since 1939.



For more information on Keysight Technologies' products, applications or services, please contact your local Keysight office. The complete list is available at: [www.keysight.com/find/contactus](http://www.keysight.com/find/contactus)

**Americas**

Canada	(877) 894 4414
Brazil	55 11 3351 7010
Mexico	001 800 254 2440
United States	(800) 829 4444

**Asia Pacific**

Australia	1 800 629 485
China	800 810 0189
Hong Kong	800 938 693
India	1 800 11 2626
Japan	0120 (421) 345
Korea	080 769 0800
Malaysia	1 800 888 848
Singapore	1 800 375 8100
Taiwan	0800 047 866
Other AP Countries	(65) 6375 8100

**Europe & Middle East**

Austria	0800 001122
Belgium	0800 58580
Finland	0800 523252
France	0805 980333
Germany	0800 6270999
Ireland	1800 832700
Israel	1 809 343051
Italy	800 599100
Luxembourg	+32 800 58580
Netherlands	0800 0233200
Russia	8800 5009286
Spain	800 000154
Sweden	0200 882255
Switzerland	0800 805353
	Opt. 1 (DE)
	Opt. 2 (FR)
	Opt. 3 (IT)
United Kingdom	0800 0260637

For other unlisted countries:  
[www.keysight.com/find/contactus](http://www.keysight.com/find/contactus)  
 (BP-07-24-15)



[www.keysight.com/go/quality](http://www.keysight.com/go/quality)  
 Keysight Technologies, Inc.  
 DEKRA Certified ISO 9001:2008  
 Quality Management System

This information is subject to change without notice.  
 © Keysight Technologies, 2015  
 Published in USA, September 16, 2015  
 5992-1073EN  
[www.keysight.com](http://www.keysight.com)

**myKeysight**

**myKeysight**  
[www.keysight.com/find/mykeysight](http://www.keysight.com/find/mykeysight)  
 A personalized view into the information most relevant to you.



**Three-Year Warranty**  
[www.keysight.com/find/ThreeYearWarranty](http://www.keysight.com/find/ThreeYearWarranty)  
 Keysight's committed to superior product quality and lower total cost of ownership. Keysight is the only test and measurement company with three-year warranty standard on all instruments, worldwide. And, we provide a full one-year warranty on all accessories, calibration devices, systems and custom products.



**Keysight Assurance Plans**  
[www.keysight.com/find/AssurancePlans](http://www.keysight.com/find/AssurancePlans)  
 Up to five years of protection and no budgetary surprises to ensure your instruments are operating to specification so you can rely on accurate measurements.

**Keysight Infoline**

**Keysight Infoline**  
[www.keysight.com/find/service](http://www.keysight.com/find/service)  
 Keysight's insight to best in class information management. Free access to your Keysight equipment company reports and e-library.

**Keysight Channel Partners**  
[www.keysight.com/find/channelpartners](http://www.keysight.com/find/channelpartners)  
 Get the best of both worlds: Keysight's measurement expertise and product breadth, combined with channel partner convenience.