

User's and Service Guide

Agilent Technologies 85056K 2.4 mm/2.92 mm Calibration Kit



Agilent Part Number: 85056-90019

Printed in USA

Print Date: November 2005

Supersedes: August 2004

© Copyright 1996, 2001, 2002, 2004, 2005 Agilent Technologies, Inc. All rights reserved.

Documentation Warranty

THE MATERIAL CONTAINED IN THIS DOCUMENT IS PROVIDED "AS IS," AND IS SUBJECT TO BEING CHANGED, WITHOUT NOTICE, IN FUTURE EDITIONS. FURTHER, TO THE MAXIMUM EXTENT PERMITTED BY APPLICABLE LAW, AGILENT DISCLAIMS ALL WARRANTIES, EITHER EXPRESS OR IMPLIED WITH REGARD TO THIS MANUAL AND ANY INFORMATION CONTAINED HEREIN, INCLUDING BUT NOT LIMITED TO THE IMPLIED WARRANTIES OF MERCHANTABILITY AND FITNESS FOR A PARTICULAR PURPOSE. AGILENT SHALL NOT BE LIABLE FOR ERRORS OR FOR INCIDENTAL OR CONSEQUENTIAL DAMAGES IN CONNECTION WITH THE FURNISHING, USE, OR PERFORMANCE OF THIS DOCUMENT OR ANY INFORMATION CONTAINED HEREIN. SHOULD AGILENT AND THE USER HAVE A SEPARATE WRITTEN AGREEMENT WITH WARRANTY TERMS COVERING THE MATERIAL IN THIS DOCUMENT THAT CONFLICT WITH THESE TERMS, THE WARRANTY TERMS IN THE SEPARATE AGREEMENT WILL CONTROL.

DFARS/Restricted Rights Notice

If software is for use in the performance of a U.S. Government prime contract or subcontract, Software is delivered and licensed as "Commercial computer software" as defined in DFAR 252.227-7014 (June 1995), or as a "commercial item" as defined in FAR 2.101(a) or as "Restricted computer software" as defined in FAR 52.227-19 (June 1987) or any equivalent agency regulation or contract clause. Use, duplication or disclosure of Software is subject to Agilent Technologies' standard commercial license terms, and non-DOD Departments and Agencies of the U.S. Government will receive no greater than Restricted Rights as defined in FAR 52.227-19(c)(1-2) (June 1987). U.S. Government users will receive no greater than Limited Rights as defined in FAR 52.227-14 (June 1987) or DFAR 252.227-7015 (b)(2) (November 1995), as applicable in any technical data.

Assistance

Product maintenance agreements and other customer assistance agreements are available for Agilent products.

For any assistance, contact Agilent Technologies. Refer to page [page 5-4](#) for a list of Agilent contacts.

Printing Copies of Documentation from the Web

To print copies of documentation from the Web, download the PDF file from the Agilent web site:

- Go to <http://www.agilent.com>.
- Enter the document's part number (located on the title page) in the **Quick Search** box.
- Click GO.
- Click on the hyperlink for the document.
- Click the printer icon located in the tool bar.

| | |
|---|------|
| 1. General Information | |
| Calibration Kit Overview | 1-2 |
| Kit Contents | 1-2 |
| Compatible Network Analyzers | 1-3 |
| Options | 1-3 |
| Equipment Required but Not Supplied | 1-4 |
| Incoming Inspection | 1-4 |
| Recording the Device Serial Numbers | 1-5 |
| Clarifying the Terminology of a Connector Interface | 1-5 |
| Preventive Maintenance | 1-6 |
| 2. Specifications | |
| Environmental Requirements | 2-2 |
| Temperature—What to Watch Out For | 2-2 |
| Mechanical Characteristics | 2-3 |
| Pin Depth | 2-3 |
| Electrical Specifications | 2-5 |
| Supplemental Electrical Characteristics | 2-6 |
| Residual Errors after Calibration | 2-6 |
| Certification | 2-6 |
| 3. Use, Maintenance, and Care of the Devices | |
| Electrostatic Discharge | 3-2 |
| Visual Inspection | 3-3 |
| Look for Obvious Defects and Damage First | 3-3 |
| Inspect the Mating Plane Surfaces | 3-3 |
| Slotted Connectors (2.92 mm) | 3-4 |
| Precision Slotless Connectors (2.4 mm) | 3-4 |
| Calibration Information | 3-5 |
| Full 2-Port Calibration Overview | 3-6 |
| Cleaning Connectors | 3-16 |
| Gaging Connectors | 3-18 |
| Connector Gage Accuracy | 3-18 |
| When to Gage Connectors | 3-19 |
| Gaging Procedures | 3-19 |
| Making Connections | 3-27 |
| How to Make a Connection | 3-27 |
| How to Separate a Connection | 3-31 |
| Using the Sliding Load (Option 001 only) | 3-32 |
| Handling and Storage | 3-33 |
| 4. Performance Verification | |
| Introduction | 4-2 |
| How Agilent Verifies the Devices in Your Kit | 4-2 |
| Recertification | 4-3 |
| How Often to Recertify | 4-3 |

Contents

- Where to Send a Kit for Recertification. 4-3

- 5. Troubleshooting**
 - Troubleshooting Process 5-2
 - Returning a Kit or Device to Agilent 5-3
 - Contacting Agilent 5-4

- 6. Replaceable Parts**
 - Introduction 6-2

- A. Standard Definitions**
 - Version Changes. a-2
 - Standard Class Assignments. a-3
 - Blank Forms a-9
 - Nominal Standard Definitions a-13
 - Setting the System Impedance a-13
 - Version Changes a-13
 - Blank Forms a-23

1 General Information

Calibration Kit Overview

The Agilent 85056K 2.4 mm/2.92 mm calibration kit was designed to give network analyzer systems with 2.4 mm test ports the ability to perform measurements on devices with 2.92 mm connectors. The kit can be used to achieve calibrated measurements of 2.92 mm devices up to 40 GHz, and 2.4 mm devices up to 50 GHz.

Kit Contents

The 85056K calibration kit includes the following items:

- User's and Service Guide
- 2.4 mm offset opens and shorts
- 2.4 mm broadband terminations
- 2.4 mm to 2.4 mm adapters
- 2.4 mm to 2.92 mm adapters
- 5/16 in, 90 N-cm (8 in-lb) torque wrench
- 5/16 in, 56 N-cm (5 in-lb) torque wrench
- 7 mm open-end wrench
- data disk that contain the calibration definitions of the devices in the calibration kit (only for the 8510-series network analyzers)
- a data disk set that contains specifications and performance verification software for the 8510-series network analyzers.

Refer to [Chapter 6](#) for a complete list of kit contents and their associated part numbers.

Broadband Loads

The broadband loads are metrology-grade, 50 Ω terminations that have been optimized for performance up to 50 GHz. The rugged internal structure provides for highly repeatable connections. A distributed resistive element on sapphire provides excellent stability and return loss.

Offset Opens and Shorts

The offset opens and shorts are built from parts that are machined to the current state-of-the-art in precision machining.

The offset short's inner conductors have a one-piece construction, common with the shorting plane. The construction provides for extremely repeatable connections.

The offset opens have inner conductors that are supported by a strong, low-dielectric-constant plastic to minimize compensation values.

Both the opens and shorts are constructed so that the pin depth can be controlled very tightly, thereby minimizing phase errors. The lengths of the offsets in the opens and shorts are designed so that the difference in phase of their reflection coefficients is approximately

180 degrees at all frequencies.

Adapters

Like the other devices in the kit, the adapters are built to very tight tolerances to provide good broadband performance and to ensure stable, repeatable connections.

The adapters are designed so that their nominal electrical lengths are the same, allowing them to be used in calibration procedures for non-insertable devices.

Sliding Loads (Option 001 only)

The sliding loads in this kit are designed to provide excellent performance from 4 GHz to 50 GHz. The inner and outer conductors of the airline portion are precision machined to state-of-the-art tolerances. Although the sliding load has exceptional return loss, its superior load stability qualifies it as a high-performance device.

The sliding load was designed with the ability to extend the inner conductor for connection purposes and then pull it back to a preset pin depth. This feature is critical since it minimizes the possibility of damage during connection, while maintaining a minimum pin depth to optimize performance.

Compatible Network Analyzers

The 85056K calibration kits are intended to be used with the following Agilent network analyzers:

- 8510
- 872x Series
- 8753 Family
- PNA Series

If this calibration kit is used with other analyzers, the calibration definitions must be manually entered into the analyzer. Refer to your network analyzer user's guide or embedded help system for instructions.

Options

The following options are available for the 85056K:

Option 001

Includes the following items:

- 2.4 mm sliding loads
- 2.4 mm connector gages
- Centering Bead (for gaging 2.4 mm sliding loads)

Equipment Required but Not Supplied

Gage sets are required for measuring the connector pin depth. The standard 85056K calibration kit does not include any gage sets. If Option 001 was ordered, you were supplied with 2.4 mm gages. However, the 3.5 mm gages required to measure the 2.92 mm connectors must be ordered separately.

Connector cleaning supplies and various electrostatic discharge (ESD) protection devices are not supplied with the calibration kit but are required to ensure successful operation of the kit.

Refer to [Table 6-2 on page 6-4](#) for ordering information.

Incoming Inspection

Verify that the shipment is complete by referring to [Table 6-1 on page 6-2](#).

Check for damage. The foam-lined storage case provides protection during shipping. Verify that this case and its contents are not damaged.

If the case or any device appears damaged, or if the shipment is incomplete, contact Agilent Technologies. See [“Contacting Agilent” on page 5-4](#). Agilent will arrange for repair or replacement of incomplete or damaged shipments without waiting for a settlement from the transportation company.

When you send the kit or device to Agilent, include a service tag (found near the end of this manual) with the following information:

- your company name and address
- the name of a technical contact person within your company, and the person's complete phone number
- the model number and serial number of the kit
- the part number and serial number of the device
- the type of service required
- a *detailed* description of the problem

Recording the Device Serial Numbers

In addition to the kit serial number, the devices in the kit are individually serialized (serial numbers are labeled onto the body of each device). Record these serial numbers in [Table 1-1](#). Recording the serial numbers will prevent confusing the devices in this kit with similar devices from other kits.

The adapters included in the kit are for measurement convenience only and are not serialized.

Table 1-1 Serial Number Record for the 85056K

| Device | Serial Number |
|----------------------------|---------------|
| Calibration kit | _____ |
| Open –m– | _____ |
| Open –f– | _____ |
| Short –m– | _____ |
| Short –f– | _____ |
| Broadband load –m– | _____ |
| Broadband load –f– | _____ |
| For Option 001 only | |
| Sliding load –f– | _____ |
| Sliding load –m– | _____ |
| Connector gage –f– | _____ |
| Gage master –f– | _____ |
| Connector gage –m– | _____ |
| Gage master –m– | _____ |

Clarifying the Terminology of a Connector Interface

In this document and in the prompts of the PNA calibration wizard, the sex of cable connectors and adapters is referred to in terms of the center conductor. For example, a connector or device designated as 1.85 mm –f– has a 1.85 mm female center conductor.

8510-series, 872x, and 875x ONLY: In contrast, during a measurement calibration, the network analyzer softkey menus label a 1.85 mm calibration device with reference to the sex of the analyzer’s test port connector—not the calibration device connector. For example, the label SHORT (F) refers to the short that is to be connected to the female test port. This

will be a male short from the calibration kit.

Table 1-2 Clarifying the Sex of Connectors: Examples

| Terminology | Meaning |
|-------------|---|
| Short -f- | Female short (female center conductor) |
| Short (f) | Male short (male center conductor) to be connected to female port |

A connector gage is referred to in terms of the connector that it measures. For instance, a male connector gage has a female connector on the gage so that it can measure male devices.

Preventive Maintenance

The best techniques for maintaining the integrity of the devices in the kit include:

- routine visual inspection
- cleaning
- proper gaging
- proper connection techniques

All of these techniques are described in [Chapter 3, “Use, Maintenance, and Care of the Devices.”](#) Failure to detect and remove dirt or metallic particles on a mating plane surface can degrade repeatability and accuracy and can damage any connector mated to it. Improper connections, resulting from pin depth values being out of the observed limits (see [Table 2-2 on page 2-4](#)), or from bad connection techniques, can also damage these devices.

2 Specifications

Environmental Requirements

Table 2-1 Environmental Requirements

| Parameter | Limits |
|--|--|
| Operating temperature ^a | +20 °C to +26 °C (+68 °F to +79 °F) |
| Error-corrected temperature range ^b | ±1 °C of measurement calibration temperature |
| Storage temperature | -40 °C to +75 °C (-40 °F to +167 °F) |
| Altitude | |
| Operation | < 4,500 meters (≈15,000 feet) |
| Storage | < 15,000 meters (≈50,000 feet) |
| Relative humidity | Always non-condensing |
| Operation | 0 to 80% (26 °C maximum dry bulb) |
| Storage | 0 to 90% |

- a. The temperature range over which the calibration standards maintain conformance to their specifications.
- b. The allowable network analyzer ambient temperature drift during measurement calibration and during measurements when the network analyzer error correction is turned on. Also, the range over which the network analyzer maintains its specified performance while correction is turned on.

Temperature—What to Watch Out For

Changes in temperature can affect electrical characteristics. Therefore, the operating temperature is a critical factor in performance. During a measurement calibration, the temperature of the calibration devices must be stable and within the range shown in [Table 2-1](#).

IMPORTANT Avoid unnecessary handling of the devices during calibration because your fingers are a heat source.

Mechanical Characteristics

Mechanical characteristics such as center conductor protrusion and pin depth are *not* performance specifications. They are, however, important supplemental characteristics related to electrical performance. Agilent Technologies verifies the mechanical characteristics of the devices in the kit with special gaging processes and electrical testing. This ensures that the device connectors do not exhibit any center conductor protrusion or improper pin depth when the kit leaves the factory.

"Gaging Connectors," on page 3-18 explains how to use gages to determine if the kit devices have maintained their mechanical integrity. Refer to Table 2-2 on page 2-4 for typical and observed pin depth limits.

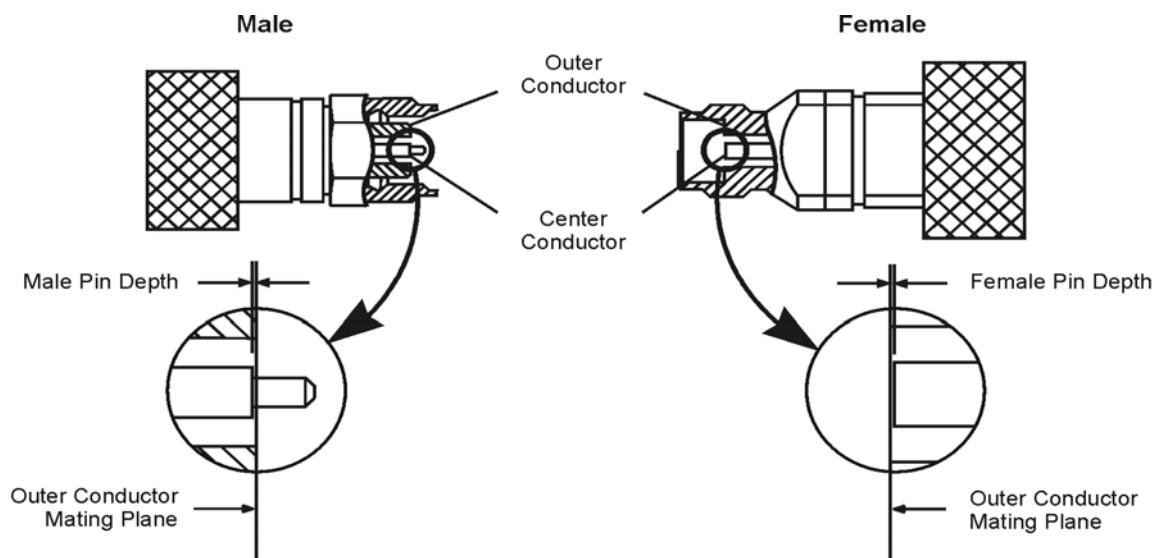
Pin Depth

Pin depth is the distance the center conductor mating plane differs from being flush with the outer conductor mating plane. See Figure 2-1. The pin depth of a connector can be in one of two states: either protruding or recessed.

Protrusion is the condition in which the center conductor extends beyond the outer conductor mating plane. This condition will indicate a positive value on the connector gage.

Recession is the condition in which the center conductor is set back from the outer conductor mating plane. This condition will indicate a negative value on the connector gage.

Figure 2-1 Connector Pin Depth



ph78a

The pin depth value of each calibration device in the kit is not specified, but is an important mechanical parameter. The electrical performance of the device depends, to some extent, on its pin depth. The electrical specifications for each device in the kit take into account the effect of pin depth on the device's performance. [Table 2-2](#) lists the typical pin depths and measurement uncertainties, and provides observed pin depth limits for the devices in the kit. If the pin depth of a device does not measure within the *observed* pin depth limits, it may be an indication that the device fails to meet electrical specifications. Refer to [Figure 2-1 on page 2-3](#) for a visual representation of proper pin depth (slightly recessed).

Table 2-2 Pin Depth Limits

| Device | Typical Pin Depth | Measurement Uncertainty ^a | Observed Pin Depth Limits ^b |
|--|--|--|--|
| Opens | 0 to -0.0127 mm 0 to -0.00050 in | +0.0030 to -0.0030 mm +0.00012 to -0.00012 in | +0.0030 to -0.0157 mm +0.00012 to -0.00062 in |
| Shorts | 0 to -0.0127 mm 0 to -0.00050 in | +0.0015 to -0.0015 mm +0.00006 to -0.00006 in | +0.0015 to -0.0142 mm +0.00006 to -0.00056 in |
| Fixed loads | -0.0025 to -0.0203 mm -0.00010 to -0.00080 in | +0.0030 to -0.0030 mm +0.00012 to -0.00012 in | +0.0005 to -0.0234 mm +0.00002 to -0.00092 in |
| Sliding loads | 0 to -0.0127 mm 0 to -0.00050 in | +0.0015 to -0.0015 mm +0.00006 to -0.00006 in | +0.0015 to -0.0142 mm +0.00006 to -0.00056 in |
| Adapters (2.4 to 2.4) | 0 to -0.0381 mm 0 to -0.00150 in | +0.0030 to -0.0030 mm +0.00012 to -0.00012 in | +0.0030 to -0.0411 mm +0.00012 to -0.00162 in |
| Adapters (2.4 to 2.92) ^c | 0 to -0.0381 mm 0 to -0.00150 in | +0.0030 to -0.0030 mm +0.00012 to -0.00012 in | +0.0030 to -0.0411 mm +0.00012 to -0.00162 in |

- Approximately +2 sigma to -2 sigma of gage uncertainty based on studies done at the factory according to recommended procedures.
- Observed pin depth limits are the range of observation limits seen on the gage reading due to measurement uncertainty. The depth could still be within specifications.
- The 2.4 mm to 2.92 mm adapters require a 3.5 mm connector gage to measure the 2.92 mm end. Refer to [Table 6-2 on page 6-4](#) for Agilent part numbers and ordering information.

Electrical Specifications

The electrical specifications in [Table 2-3](#) apply to the devices in your calibration kit when connected with an Agilent precision interface.

Table 2-3 Electrical Specifications for 85056K Calibration Kit

| Device | Specification | Frequency (GHz) |
|---|--|-----------------------|
| Broadband loads (male and female) | Return loss ≥ 42 dB ($\rho \leq 0.00794$) | dc to ≤ 4 |
| | Return loss ≥ 34 dB ($\rho \leq 0.01995$) | > 4 to ≤ 20 |
| | Return loss ≥ 30 dB ($\rho \leq 0.03162$) | > 20 to ≤ 26.5 |
| | Return loss ≥ 26 dB ($\rho \leq 0.05019$) | > 26.5 to ≤ 50 |
| Sliding loads ^{a,b} (male and female) | Return loss ≥ 42 dB ($\rho \leq 0.00794$) | 4 to ≤ 20 |
| | Return loss ≥ 40 dB ($\rho \leq 0.01000$) | > 20 to ≤ 36 |
| | Return loss ≥ 38 dB ($\rho \leq 0.01259$) | > 36 to ≤ 40 |
| | Return loss ≥ 36 dB ($\rho \leq 0.01585$) | > 40 to ≤ 50 |
| Adapters (2.4 mm to 2.4 mm) | Return loss ≥ 32 dB ($\rho \leq 0.02512$) | dc to ≤ 4 |
| | Return loss ≥ 30 dB ($\rho \leq 0.03162$) | > 4 to ≤ 26.5 |
| | Return loss ≥ 25 dB ($\rho \leq 0.05623$) | > 26.5 to ≤ 40 |
| | Return loss ≥ 20 dB ($\rho \leq 0.10000$) | > 40 to ≤ 50 |
| Adapters ^c (2.4 mm to 2.92 mm) | Return loss ≥ 24 dB ($\rho \leq 0.06310$) | dc to ≤ 40 |
| Offset opens ^d (male and female) | $\pm 0.5^\circ$ deviation from nominal | dc to ≤ 2 |
| | $\pm 1.25^\circ$ deviation from nominal | > 2 to ≤ 20 |
| | $\pm 1.75^\circ$ deviation from nominal | > 20 to ≤ 40 |
| | $\pm 2.25^\circ$ deviation from nominal | > 40 to ≤ 50 |
| Offset shorts ^d (male and female) | $\pm 0.5^\circ$ deviation from nominal | dc to ≤ 2 |
| | $\pm 1.25^\circ$ deviation from nominal | > 2 to ≤ 20 |
| | $\pm 1.5^\circ$ deviation from nominal | > 20 to ≤ 40 |
| | $\pm 2.0^\circ$ deviation from nominal | > 40 to ≤ 50 |

a. For Option 001 only

b. The specifications for the sliding load termination include the quality of the airline portions within the sliding load combined with the effective stability element.

c. The 2.4 mm to 2.92 mm adapters are tested two at a time (connected together) at the factory.

d. The specifications for the opens and shorts are given as allowed deviation from the nominal model as defined in the standard definitions (see ["Nominal Standard Definitions"](#) on page A-13).

Supplemental Electrical Characteristics

Table 2-4 on page 2-6 lists the typical electrical characteristics of the 2.4 mm to 2.92 mm adapters in this kit. Values in this table are *not* specifications, but are intended to provide useful application information by giving typical, but non-warranted, performance parameters.

Table 2-4 2.4 mm to 2.92 mm adapter Characteristics

| Frequency (GHz) | Parameter | Typical Value |
|---------------------|-------------------|--------------------------------------|
| DC to ≤ 2 | Return Loss | ≥ 38 dB ($\leq 0.01259 \rho$) |
| > 2 to ≤ 20 | Return Loss | ≥ 35 dB ($\leq 0.01778 \rho$) |
| > 20 to ≤ 40 | Return Loss | ≥ 30 dB ($\leq 0.03162 \rho$) |
| DC to ≤ 40 | Electrical Length | 39.631 ps ± 0.14 ps |
| DC to ≤ 40 | Insertion Loss | < 0.075 dB ($> 0.99140 \rho$) |

Residual Errors after Calibration

The 8510 “Specifications and Performance Verification” software can be used to obtain a printout of the residual errors after a calibration has been performed. Refer to the “Specifications and Performance Verification” section of the 8510 *On-Site Service Manual* for information on how to use the software.

Certification

Agilent Technologies certifies that this product met its published specifications at the time of shipment from the factory. Agilent further certifies that its calibration measurements are traceable to the United States National Institute of Standards and Technology (NIST) to the extent allowed by the institute’s calibration facility, and to the calibration facilities of other International Standards Organization members. See "[How Agilent Verifies the Devices in Your Kit](#)," on page 4-2 for more information.

3 Use, Maintenance, and Care of the Devices

Electrostatic Discharge

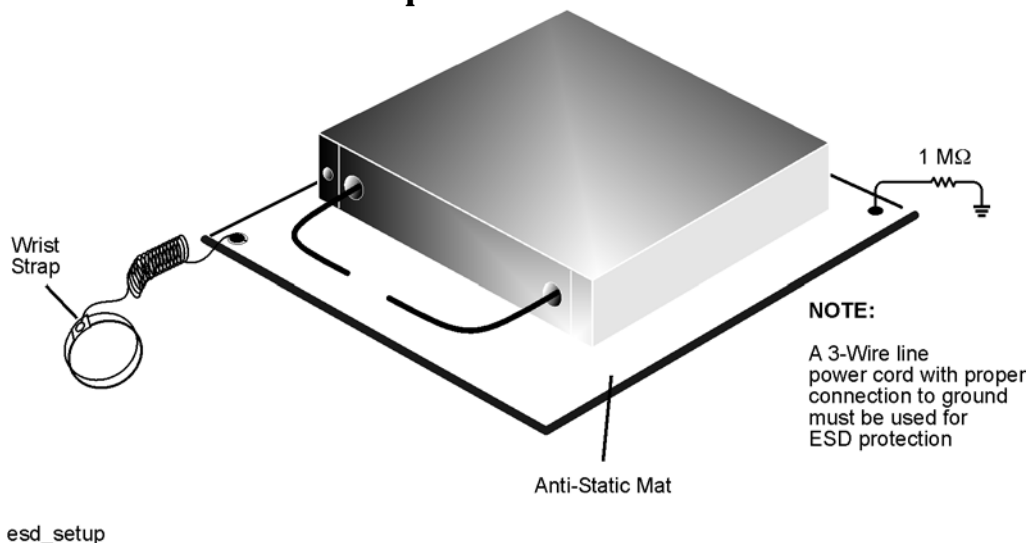
Protection against electrostatic discharge (ESD) is essential while connecting, inspecting, or cleaning connectors attached to a static-sensitive circuit (such as those found in test sets).

Static electricity can build up on your body and can easily damage sensitive internal circuit elements when discharged. Static discharges too small to be felt can cause permanent damage. Devices such as calibration components and devices under test (DUT), can also carry an electrostatic charge. To prevent damage to the test set, components, and devices:

- *always* wear a grounded wrist strap having a 1 M Ω resistor in series with it when handling components and devices or when making connections to the test set.
- *always* use a grounded, conductive table mat while making connections.
- *always* wear a heel strap when working in an area with a conductive floor. If you are uncertain about the conductivity of your floor, wear a heel strap.
- *always* ground yourself before you clean, inspect, or make a connection to a static-sensitive device or test port. You can, for example, grasp the grounded outer shell of the test port or cable connector briefly.
- *always* ground the center conductor of a test cable before making a connection to the analyzer test port or other static-sensitive device. This can be done as follows:
 1. Connect a short (from your calibration kit) to one end of the cable to short the center conductor to the outer conductor.
 2. While wearing a grounded wrist strap, grasp the outer shell of the cable connector.
 3. Connect the other end of the cable to the test port.
 4. Remove the short from the cable.

Figure 3-1 shows a typical ESD protection setup using a grounded mat and wrist strap. Refer to Table 6-2 on page 6-4 for information on ordering supplies for ESD protection.

Figure 3-1 ESD Protection Setup



Visual Inspection

Visual inspection and, if necessary, cleaning should be done every time a connection is made. Metal particles from the connector threads may fall into the connector when it is disconnected. One connection made with a dirty or damaged connector can damage both connectors beyond repair.

In some cases, magnification is necessary to see damage to a connector; a magnifying device with a magnification of $\geq 10x$ is recommended. However, not all defects that are visible only under magnification will affect the electrical performance of the connector. Use the following guidelines when evaluating the integrity of a connector.

Look for Obvious Defects and Damage First

Examine the connectors first for obvious defects and damage: badly worn plating on the connector interface, deformed threads, or bent, broken, or misaligned center conductors. Connector nuts should move smoothly and be free of burrs, loose metal particles, and rough spots.

What Causes Connector Wear?

Connector wear is caused by connecting and disconnecting the devices. The more use a connector gets, the faster it wears and degrades. The wear is greatly accelerated when connectors are not kept clean, or are not connected properly.

Connector wear eventually degrades performance of the device. Calibration devices should have a long life if their use is on the order of a few times per week. Replace devices with worn connectors.

The test port connectors on the network analyzer test set may have many connections each day, and are, therefore, more subject to wear. It is recommended that an adapter be used as a test port saver to minimize the wear on the test set's test port connectors.

Inspect the Mating Plane Surfaces

Flat contact between the connectors at all points on their mating plane surfaces is required for a good connection. See [Figure 2-1 on page 2-3](#). Look especially for deep scratches or dents, and for dirt and metal particles on the connector mating plane surfaces. Also look for signs of damage due to excessive or uneven wear or misalignment.

Light burnishing of the mating plane surfaces is normal, and is evident as light scratches or shallow circular marks distributed more or less uniformly over the mating plane surface. Other small defects and cosmetic imperfections are also normal. None of these affect electrical or mechanical performance.

If a connector shows deep scratches or dents, particles clinging to the mating plane surfaces, or uneven wear, clean and inspect it again. Devices with damaged connectors should be discarded. Determine the cause of damage before connecting a new, undamaged connector in the same configuration.

Slotted Connectors (2.92 mm)

When using slotted connectors, inspect the contact fingers in the female center conductor carefully. These can be bent or broken, and damage to them is not always easy to see. A connector with damaged contact fingers will not make good electrical contact and must be replaced.

NOTE This is particularly important when mating nonprecision to precision devices.

Precision Slotless Connectors (2.4 mm)

The female 2.4 mm connectors in this set are metrology-grade, precision slotless connectors (PSC). Precision slotless connectors are used to improve accuracy. A characteristic of metrology-grade connectors is directly traceability to national measurement standards through their well-defined mechanical dimensions. With PSCs on test ports and standards, the accuracy achieved when measuring at 50 dB return loss levels is comparable to using conventional slotted connectors measuring devices having only 30 dB return loss. This represents an accuracy improvement of about 10 times.

The female 2.92 mm connectors have slotted contacts and, therefore, cannot be considered metrology-grade. Due to the extremely thin wall of the 2.92 mm female connector, a slotless metrology-grade 2.92 mm connector pair does not currently exist.

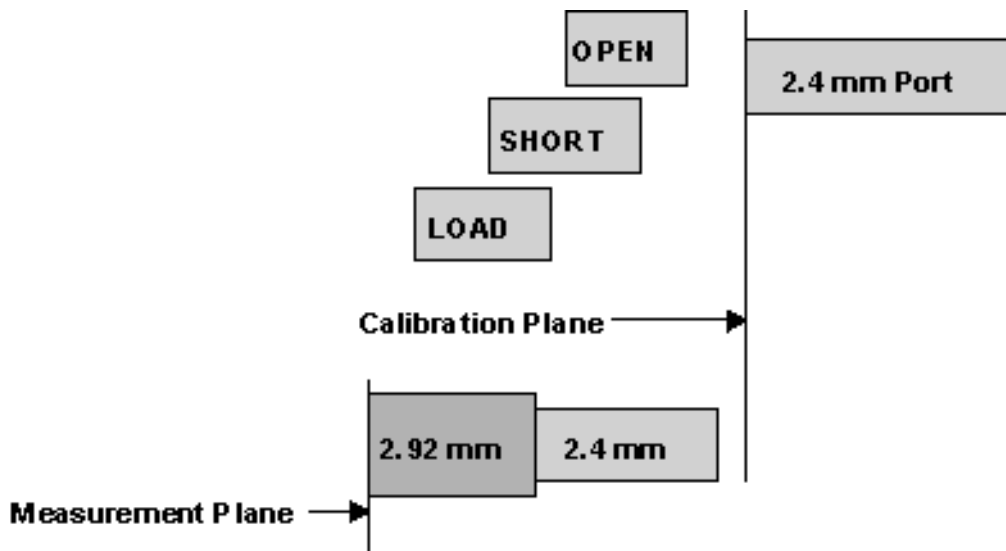
Conventional female center conductors are slotted and, when mated, are flared by the male pin. Because physical dimensions determine connector impedance, this change in physical dimension affects electrical performance, making it very difficult to perform precision measurements with conventional slotted connectors.

The precision slotless connector was developed to eliminate this problem. The PSC has a center conductor with a solid cylindrical shell, the outside diameter of which does not change when mated. Instead, the center conductor has an internal contact that flexes to accept the male pin.

Calibration Information

The 85056K Calibration Kit is designed to provide a calibrated 2.92 mm test port to measure devices with 2.92 mm connectors, using 2.4 mm calibration standards and a set of precision 2.4 mm to 2.92 mm adapters. The nominal loss and delay of the 2.4 mm to 2.92 mm adapters are “de-embedded” from the responses of the 2.4 mm opens and shorts. This de-embedding causes the physical calibration plane, at the 2.4 mm test port, to be transformed to the 2.92 mm measurement plane with the insertion of the 2.4 mm to 2.92 mm adapter. Thus, the calibration appears to be performed at the 2.92 mm connector interface. See the following illustration.

Figure 3-2 The Calibration Plane versus the Measurement Plane



Since the reflection of the 2.4 mm to 2.92 mm adapter is assumed to be zero, its actual reflection adds to the directivity error of the 2.4 mm calibration. The residual source match and reflection tracking errors are also degraded by the insertion of the adapter. Because of this degradation, this kit is not recommended for precision applications.

The contents of the 85056K calibration kit will support the following types of calibration:

- response calibration
- 1-port open, short, load (sliding load optional) calibration
- 2-port open, short, load, thru calibration
- 2-port open, short, load, unknown thru (PNA only)

Adapter removal calibration is not recommended using the 85056K calibration kit. The adapter swapping technique is recommended for measuring non-insertable devices since the adapters were designed to have matching characteristics. For the PNA, the unknown thru calibration may be used. To do so, follow the [“PNA Smart Cal Calibration Procedure for the 85056K and 85056K01 Cal Kits”](#) on page 3-10. Since 1-port calibration is also required for full 2-port calibration, a detailed description of the full 2-port calibration is

provided in the following section.

Full 2-Port Calibration Overview

The method used to achieve calibrated 2.92 mm connector measurements involves calibrating both 2.4 mm test ports using 2.4 mm calibration standards: opens, shorts, and loads. For Option 001 Kits, both the low band load and sliding load are used. The test ports need not be insertable. Then, two 2.4 mm to 2.92 mm adapters are connected back-to-back between the test ports to provide the “thru” measurements. For example, if the test port connectors are both female 2.4 mm connectors, a 2.4 mm male to 2.92 mm male adapter mated with a 2.92 mm female to 2.4 mm male adapter can be used as the “thru”. This method provides a better transmission calibration than using the 2.4 mm ports as the thru.

The key to this calibration method lies in the fact that the calibration definitions disk contains modified standard definitions. The nominal 2.4 mm open and short circuit standard definitions are modified to account for the presence of the 2.4 mm to 2.92 mm adapters after calibration. The measurements of the 2.4 mm standard are effectively translated to the ends of the adapters so that the directivity, source match, and reflection tracking error terms are transformed to the ends of the adapters. The thru measurements made with the 2.4 mm to 2.92 mm adapter pair accounts for the length and loss of the adapters that are inserted after the 2.4 mm calibration. The load match and transmission tracking error terms are directly characterized at the 2.92 mm mating plane.

This calibration method assumes that the adapters being used have equal length and loss, and that they are reflectionless. The metrology-grade adapters (2.4 mm to 2.4 mm only) and the 2.4 mm to 2.92 mm adapter are designed and manufactured with very tight tolerances and therefore exhibit very similar transmission characteristics. They may be interchanged, to measure non-insertables, without much degradation in performance.

The actual return loss of the adapters has the most impact on the effective directivity, source match, and load match of the system. The 2.4 mm calibration residual errors are degraded proportionally by the return loss of the adapters. It is approximately equal to the RSS (adapter reflection coefficient, 2.4 mm calibration residual errors). The reflection tracking degradation is a function of the difference between the assumed loss and delay characteristics of the 2.4 mm/2.92 mm adapters and the actual transmission characteristics of the adapters.

For best 2.92 mm measurement accuracy, a precision 2.92 mm calibration kit, such as the Agilent N4692A Electronic Calibration Module or the Maury Microwave 8770S mechanical calibration kit, is recommended.

Full 2-Port Calibration Procedures

The following 2-port calibration procedures are applicable using the specified calibration kit definition files. If your VNA firmware contains an earlier version of the calibration kit definition file, obtain a copy of the latest file from Agilent Technologies, Inc. To reach Agilent by telephone, see “[Contacting Agilent](#)” on page 5-4. To download the latest VNA firmware containing calibration kit definitions, use the following procedure.

1. Go to <http://www.agilent.com>.
2. Enter the VNA model number in the Quick Search box.

3. Click **GO**.
4. Under the heading “**Key Library Information**”, click on the hyperlink titled **Software & Firmware Downloads**.
5. Click on the hyperlink for the firmware update with the highest **Update Revision number**

2-Port Calibration Procedures for 8510 Network Analyzers

Figure 3-3 Full 2-Port Calibration - Agilent 8510 VNA using calibration kit definition CK_292MMA2 and lower

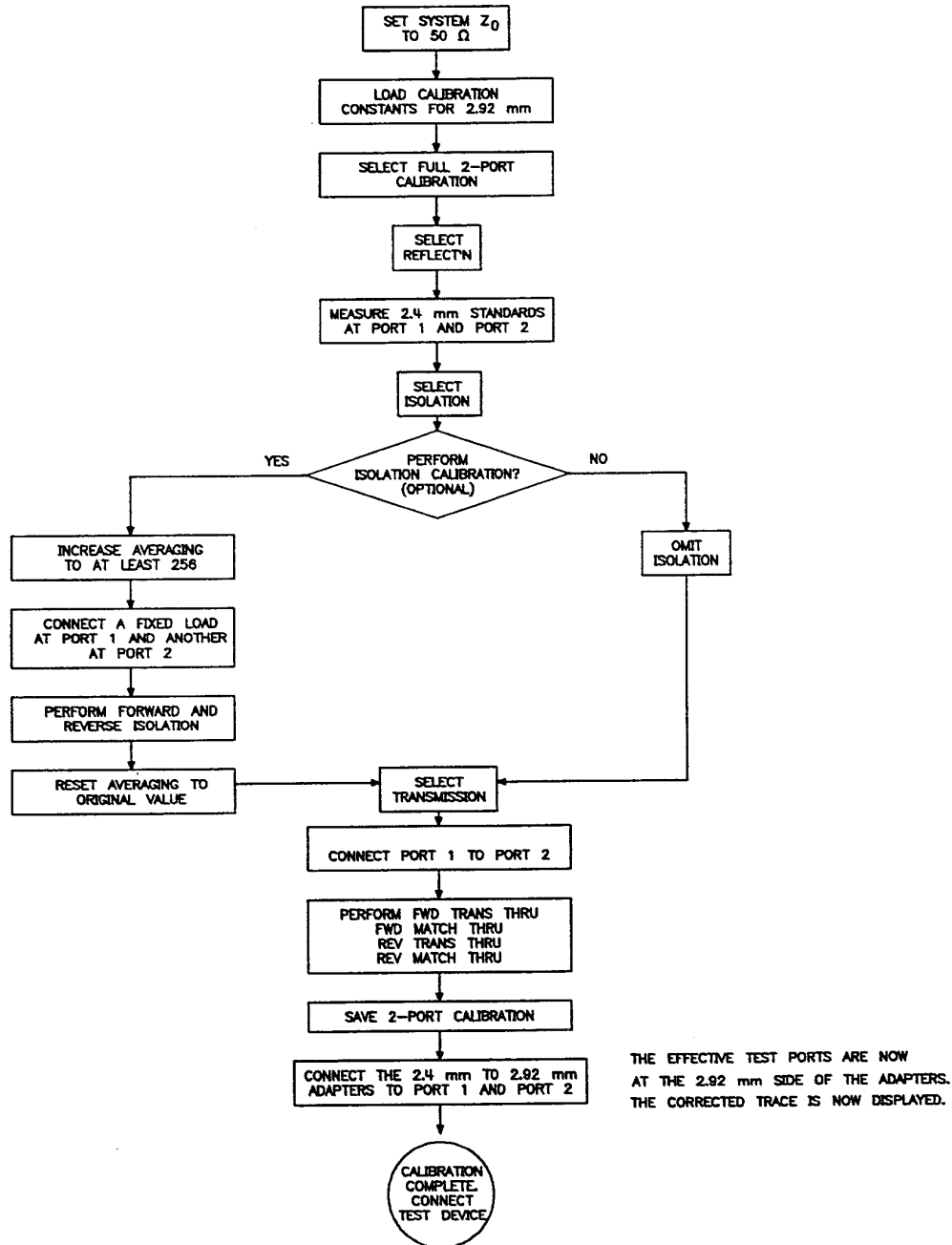
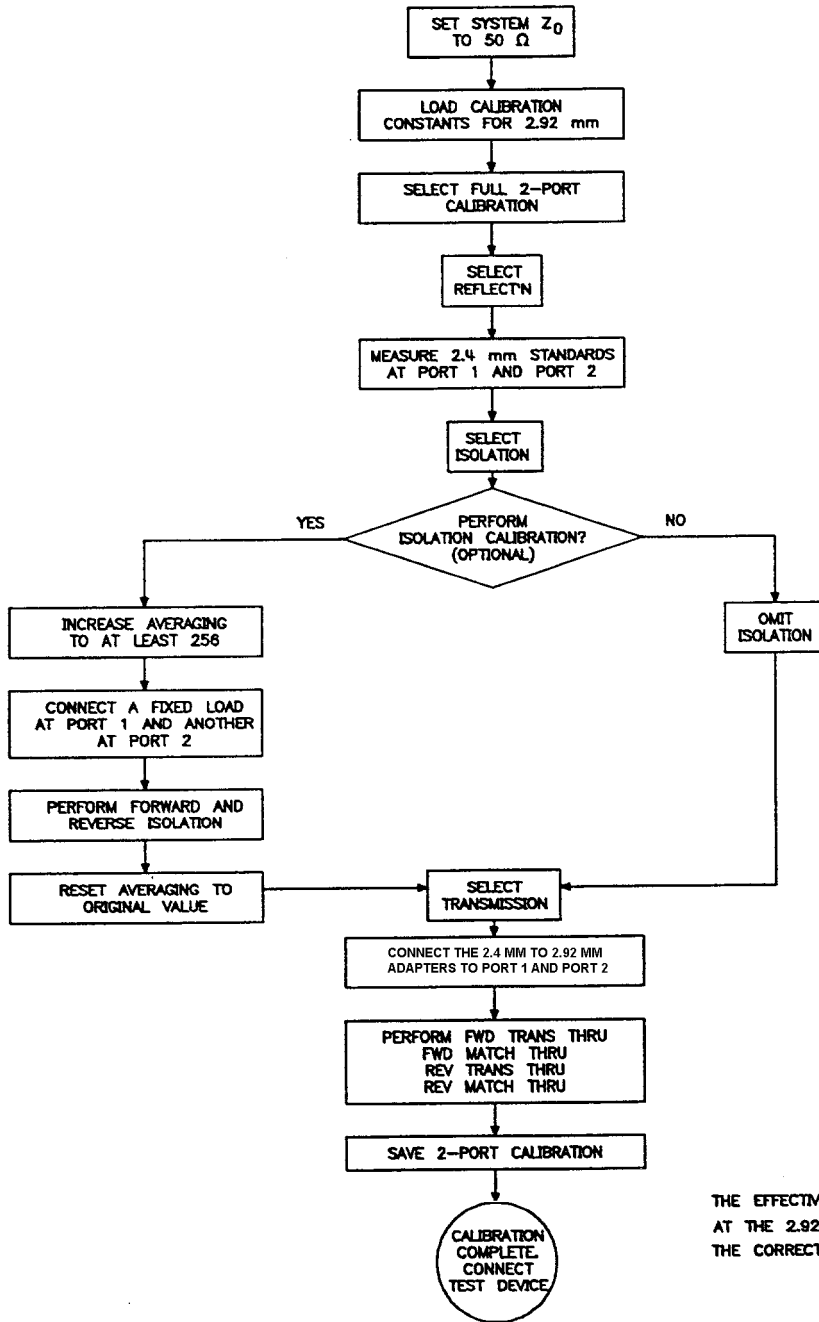


Figure 3-4 Full 2-Port Calibration - Agilent 8510 VNA using calibration kit definition CK_292MMA3 and higher



THE EFFECTIVE TEST PORTS ARE NOW AT THE 2.92 mm SIDE OF THE ADAPTERS. THE CORRECTED TRACE IS NOW DISPLAYED.

2-Port Calibration Procedures for 872x Network Analyzers

For best calibration results, it is recommended that the 85056K calibration kit definitions be updated with all of the values listed in [Table A-16 on page A-18](#). However, if you don't update all of the values, calibration results will still be significantly improved if you update only the offset delay value of the calibration kit's thru standard. To change the offset delay value to 0, use the following procedure.

1. Press [Cal], CAL KIT, SELECT CAL KIT, MORE, 2.92* 85056K, RETURN, RETURN, DELAY /THRU, MODIFY STD DEFINITION, SPECIFY OFFSET, OFFSET DELAY.
2. Note that the current offset delay value is shown on the analyzer's display. To change this value to 0, use the analyzer keypad to enter [0], [G/n].
3. Press STD OFFSET DONE, STD DONE (DEFINED), KIT DONE (MODIFIED), SAVE USER KIT.

Follow the calibration procedure of [Figure 3-4 on page 3-9](#) if you updated all of the calibration kit definitions, or just the offset delay value of the calibration kit's thru standard.

Follow the calibration procedure of [Figure 3-3 on page 3-8](#) if the offset delay value is not updated.

2-Port Calibration Procedures for PNA Network Analyzers

The Agilent PNA series of network analyzers provides two calibration procedures for mechanical calibration kits: the "Smart" Cal and the "Unguided" Cal. The "Smart" Cal guides you through the calibration process by providing step by step instructions. It also has many powerful built-in calibration features that can simplify the steps required to calibrate the PNA. Because the 85056K 2.4 mm/2.92 mm Calibration Kit operates differently from a standard calibration kit, the "Smart" Cal procedure is recommended.

NOTE During calibration routines, the PNA refers to calibration devices and adapters in terms of their connector interface. For example, a male open has a male connector.

PNA Smart Cal Calibration Procedure for the 85056K and 85056K01 Cal Kits

Refer to the Smart Cal flowchart in [Figure 3-5 on page 3-12](#).

1. From the CALIBRATION menu, click CALIBRATION WIZARD.
2. Select SMART CAL, click NEXT.
3. At the SELECT DUT CONNECTORS dialog, choose device connector type and sex.

NOTE If the 2.92 mm connector selection is not available, click CANCEL to exit Calibration Wizard. Click ADVANCED MODIFY CAL KIT, click IMPORT, then select the cal kit files from the Cal Kit data disk. Return to the Calibration Wizard.

4. At the SELECT CAL KITS dialog, select either 85056K Broadband Load Cal Kit or 85056K01 Sliding load Cal Kit for both ports. Select the MODIFY CAL check box.
5. At the SELECT CAL dialog, select UNKNOWN THRU if your DUT is non-insertable; select INSERTABLE THRU if your DUT is insertable. Click NEXT.
6. Follow the device measurement sequence by connecting 1-port calibration standards to the 2.4 mm test ports.
7. When instructed to connect the 2.4 mm to 2.92 mm adapter pair to ports 1 and 2, connect the appropriate 2.92 mm adapters for the DUT measurements to the 2.4 mm ports. If the DUT is insertable, connect port-1 to port-2 directly (insertable thru). If the DUT is non-insertable, connect the unknown thru between the 2.92 mm adapters. **The DUT may be used as the unknown thru if it meets the reciprocity criteria, $S_{21}=S_{12}$.** See [Figure 3-6 on page 3-13](#).

Figure 3-5 Full 2-Port Calibration - Agilent PNA using the Smart Cal Procedure

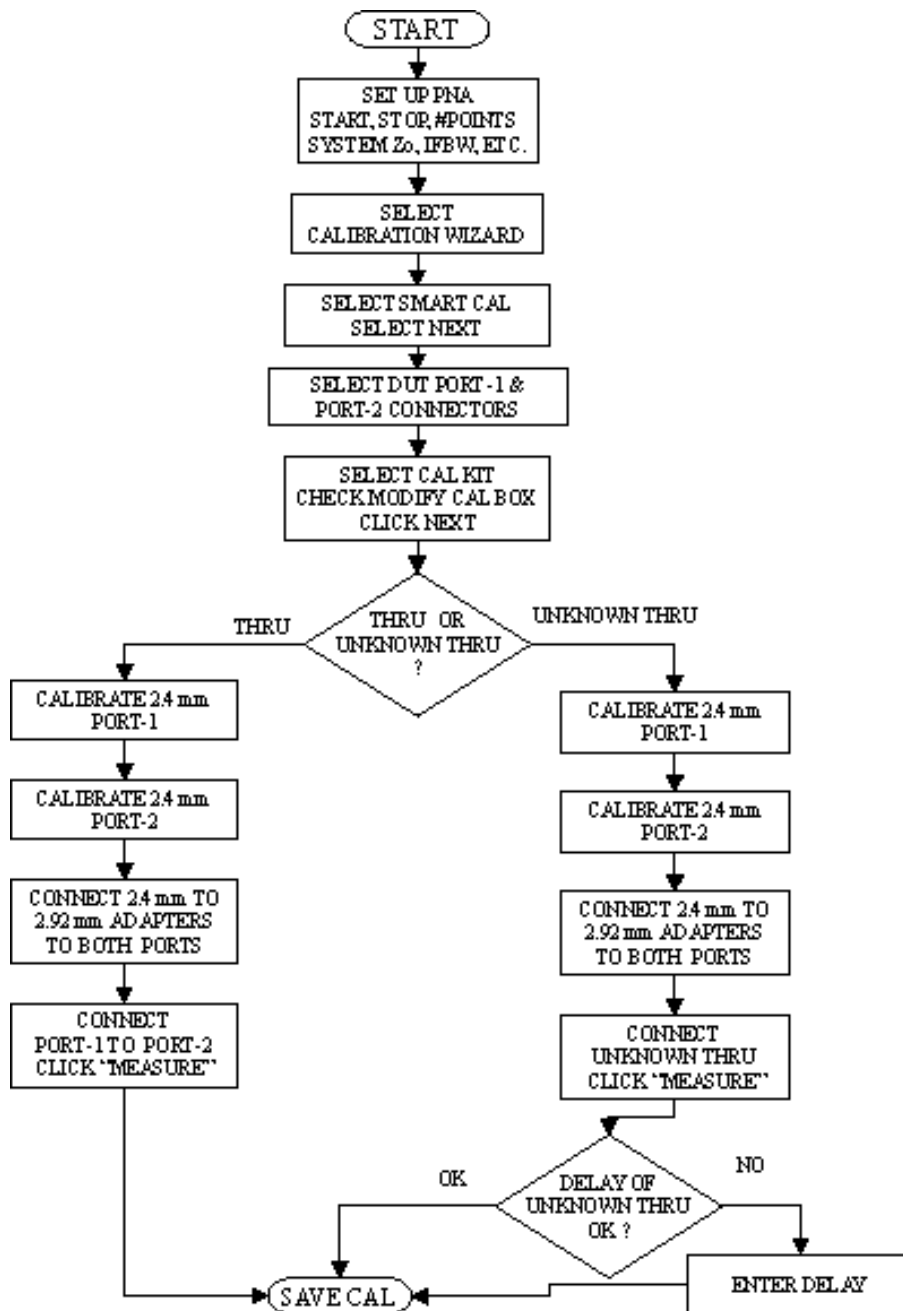
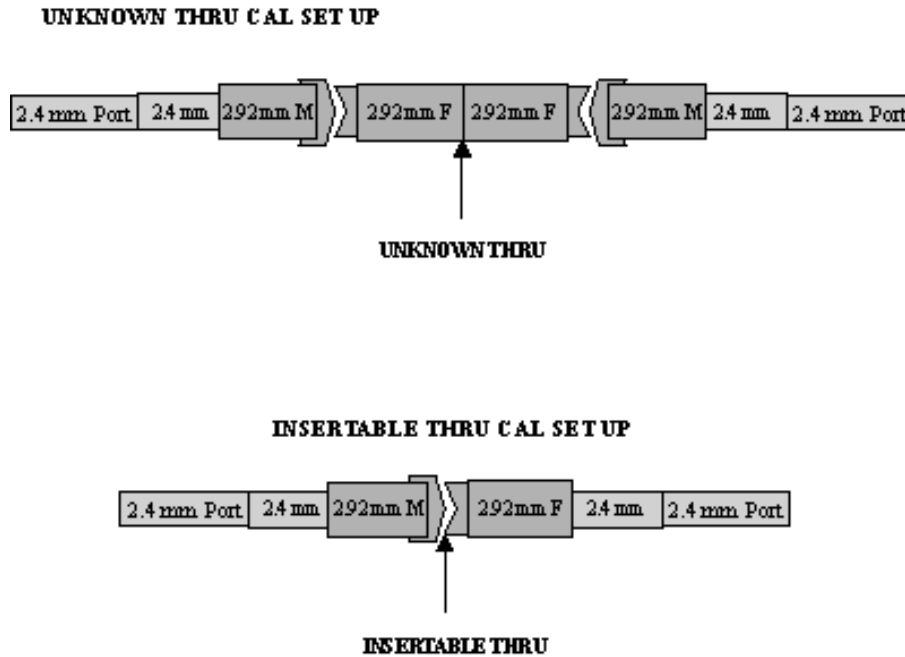


Figure 3-6 Unknown Thru Cal Setup and Insertable Thru Cal Setup



PNA Unguided Cal Calibration Procedure for the 85065K and 85056K01 Cal Kits

Refer to the Unguided Cal flowchart in [Figure 3-7 on page 3-14](#).

1. Ensure System ZO it is set to 50 ohms. Click SYSTEM then CONFIGURE, then SYSTEM ZO.
2. From the CALIBRATION menu, click CALIBRATION WIZARD
3. Select UNGUIDED CAL
4. Select FULL SOLT 2-PORT and check VIEW OR SELECT CAL KIT.
5. Select 85056K Broadband Load Cal Kit or 85056K01 Sliding load Cal Kit

NOTE If the 2.92 mm cal kit is not available, then click Cancel to exit the calibration wizard. Click ADVANCED MODIFY CAL KIT, click IMPORT, then select the cal kit files from the Cal Kit data disk. Return to the Calibration Wizard

6. When measuring the THRU standard, connect the 2.4 mm/2.92 mm adapter pair (thru standards) to the test ports.
7. If the 2.92 mm device being tested is a non-insertable, swap out one of the 2.4 mm to 2.92 mm adapters with one that will mate with the test device. See [Figure 3-8 on page 3-15](#).

Figure 3-7 Full 2-Port Calibration - Agilent PNA using the Unguided Cal Procedure

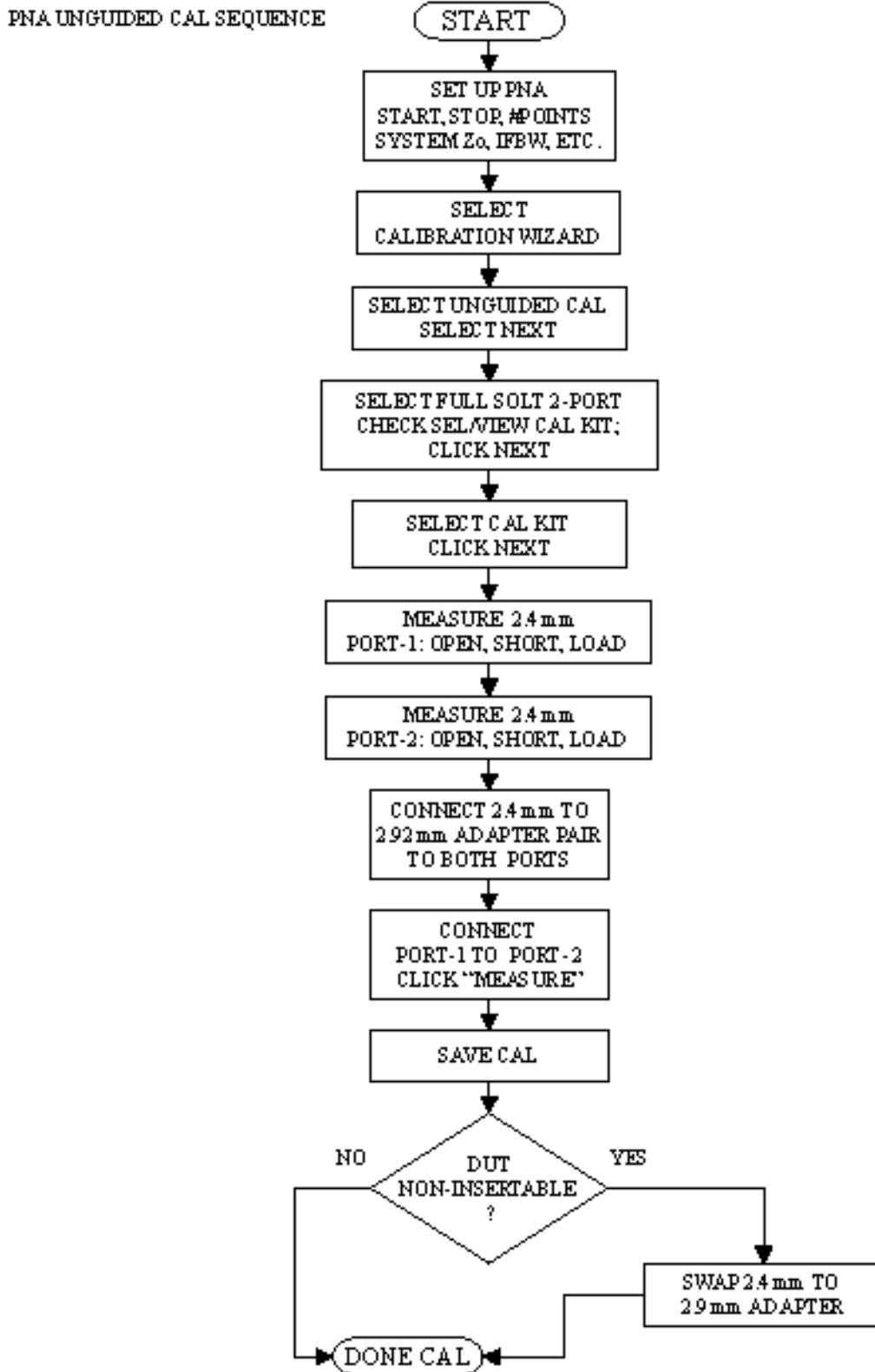
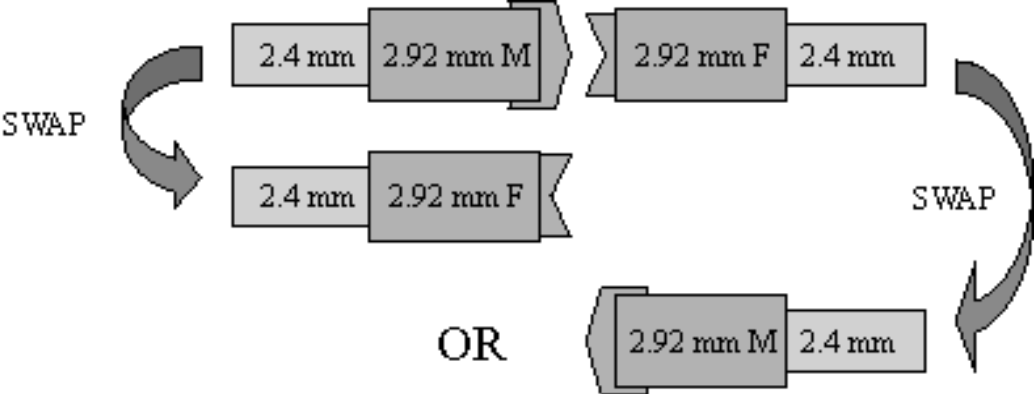


Figure 3-8 Adapter Swapping



Cleaning Connectors

Clean connectors are essential for ensuring the integrity of RF and microwave coaxial connections.

1. Use Compressed Air or Nitrogen

WARNING Always use protective eyewear when using compressed air or nitrogen.

Use compressed air (or nitrogen) to loosen particles on the connector mating plane surfaces. Clean air cannot damage a connector or leave particles or residues behind.

You can use any source of clean, dry, low-pressure compressed air or nitrogen that has an effective oil-vapor filter and liquid condensation trap placed just before the outlet hose.

Ground the hose nozzle to prevent electrostatic discharge, and set the air pressure to less than 414 kPa (60 psi) to control the velocity of the air stream. High-velocity streams of compressed air can cause electrostatic effects when directed into a connector. These electrostatic effects can damage the device. Refer to “[Electrostatic Discharge](#)” earlier in this chapter for additional information.

2. Clean the Connector Threads

WARNING Keep isopropyl alcohol away from heat, sparks, and flame. Store in a tightly closed container. It is extremely flammable. In case of fire, use alcohol foam, dry chemical, or carbon dioxide; water may be ineffective.

Use isopropyl alcohol with adequate ventilation and avoid contact with eyes, skin, and clothing. It causes skin irritation, may cause eye damage, and is harmful if swallowed or inhaled. It may be harmful if absorbed through the skin. Wash thoroughly after handling.

In case of spill, soak up with sand or earth. Flush spill area with water.

Dispose of isopropyl alcohol in accordance with all applicable federal, state, and local environmental regulations.

Use a lint-free swab or cleaning cloth moistened with isopropyl alcohol to remove any dirt or stubborn contaminants on a connector that cannot be removed with compressed air or nitrogen. Refer to [Table 6-2 on page 6-4](#) for part numbers for isopropyl alcohol and cleaning swabs.

- a. Apply a small amount of isopropyl alcohol to a lint-free cleaning swab.
- b. Clean the connector threads.

- c. Let the alcohol evaporate, then blow the threads dry with a gentle stream of clean, low-pressure compressed air or nitrogen. Always completely dry a connector before you reassemble or use it.

3. Clean the Mating Plane Surfaces

- a. Apply a small amount of isopropyl alcohol to a lint-free cleaning swab.
- b. Clean the center and outer conductor mating plane surfaces. Refer to [Figure 2-1 on page 2-3](#). When cleaning a female connector, avoid snagging the swab on the center conductor contact fingers by using short strokes.
- c. Let the alcohol evaporate, then blow the connector dry with a gentle stream of clean, low-pressure compressed air or nitrogen. Always completely dry a connector before you reassemble or use it.

4. Inspect

Inspect the connector to make sure that no particles or residue remain. Refer to [“Visual Inspection” on page 3-3](#).

Gaging Connectors

The gages available from Agilent Technologies are intended for preventive maintenance and troubleshooting purposes only. See [Table 6-1 on page 6-2](#) and [Table 6-2 on page 6-4](#) for part number information. They are effective in detecting excessive center conductor protrusion or recession, and conductor damage on DUTs, test accessories, and the calibration kit devices. Do not use the gages for precise pin depth measurements.

Connector Gage Accuracy

The connector gages are only capable of performing coarse measurements. They do not provide the degree of accuracy necessary to precisely measure the pin depth of the kit devices. This is partially due to the repeatability uncertainties that are associated with the measurement. Only the factory—through special gaging processes and electrical testing—can accurately verify the mechanical characteristics of the devices.

With proper technique, the gages are useful in detecting gross pin depth errors on device connectors. To achieve maximum accuracy, random errors must be reduced by taking the average of at least three measurements having different gage orientations on the connector. Even the resultant average can be in error by as much as ± 0.0001 inch due to systematic (biasing) errors usually resulting from worn gages and gage masters. The information in [Table 2-2 on page 2-4](#) assumes new gages and gage masters. Therefore, these systematic errors were not included in the uncertainty analysis. As the gages undergo more use, the systematic errors can become more significant in the accuracy of the measurement.

The measurement uncertainties are primarily a function of the assembly materials and design, and the unique interaction each device type has with the gage. Therefore, these uncertainties can vary among the different devices. For example, note the difference between the uncertainties of the opens and shorts in [Table 2-2](#).

The observed pin depth limits in [Table 2-2](#) add these uncertainties to the typical factory pin depth values to provide practical limits that can be referenced when using the gages. See [“Pin Depth” on page 2-3](#). Refer to [“Kit Contents” on page 1-2](#) for more information on the design of the calibration devices in the kit.

NOTE When measuring pin depth, the measured value (resultant average of three or more measurements) contains measurement uncertainty and is not necessarily the true value. Always compare the measured value with the *observed* pin depth limits (which account for measurement uncertainties) in [Table 2-2 on page 2-4](#) to evaluate the condition of device connectors.

When to Gage Connectors

Gage a connector at the following times:

- Prior to using a device for the first time: record the pin depth measurement so that it can be compared with future readings. (It will serve as a good troubleshooting tool when you suspect damage may have occurred to the device.)
- If either visual inspection or electrical performance suggests that the connector interface may be out of typical range (due to wear or damage, for example).
- If a calibration device is used by someone else or on another system or piece of equipment.
- Initially after every 100 connections, and after that as often as experience indicates.

Gaging Procedures

Gaging 2.4 mm and 2.92 mm Connectors

CAUTION You must use 3.5 mm gages to measure the pin depth of 2.92 mm devices. *Never* connect a 2.4 mm gage to a 2.92 mm device.

NOTE Always hold a connector gage by the gage barrel, below the dial indicator. This gives the best stability, and improves measurement accuracy. (Cradling the gage in your hand or holding it by the dial applies stress to the gage plunger mechanism through the dial indicator housing.)

1. Select the proper gage for your connector. Refer to [Table 6-1 on page 6-2](#) and [Table 6-2 on page 6-4](#) for gage part numbers.
2. Inspect and clean the gage, gage master, and device to be gaged. Refer to [“Visual Inspection” on page 3-3](#) and [“Cleaning Connectors” on page 3-16](#) earlier in this chapter.
3. Zero the connector gage (refer to [Figure 3-9 on page 3-21](#)):
 - a. While holding the gage by the barrel, and without turning the gage or the device, connect the gage to the gage master by interconnecting the male and female connectors. Connect the nut finger tight. Do not overtighten.
 - b. Using an open-end wrench to keep the device body from rotating, use the torque wrench included in the kit to tighten the connecting nut to the specified torque. Refer to [“Final Connection Using a Torque Wrench” on page 3-27](#) for additional information.
 - c. As you watch the gage pointer, gently tap the barrel of the gage to settle the reading. The gage pointer should line up exactly with the zero mark on the gage. If not, adjust the zero set knob until the gage pointer lines up exactly with the zero mark.
 - d. Remove the gage master.

Gaging Connectors

4. Gage the device connector (refer to [Figure 3-9 on page 3-21](#)):
 - a. While holding the gage by the barrel, and without turning the gage or the device, connect the gage to the device by interconnecting the male and female connectors. Connect the nut finger-tight. Do not overtighten.
 - b. Using an open-end wrench to keep the device body from rotating, use the torque wrench included in the kit to tighten the connecting nut to the specified torque. Refer to [“Final Connection Using a Torque Wrench” on page 3-27](#) for additional information.
 - c. Gently tap the barrel of the gage with your finger to settle the gage reading.
 - d. Read the gage indicator dial. Read *only* the black \pm signs; *not* the red \pm signs.

For maximum accuracy, measure the connector a minimum of three times and take an average of the readings. After each measurement, rotate the gage a quarter-turn to reduce measurement variations that result from the gage or the connector face not being exactly perpendicular to the center axis.
 - e. Compare the average reading with the observed pin depth limits in [Table 2-2 on page 2-4](#).

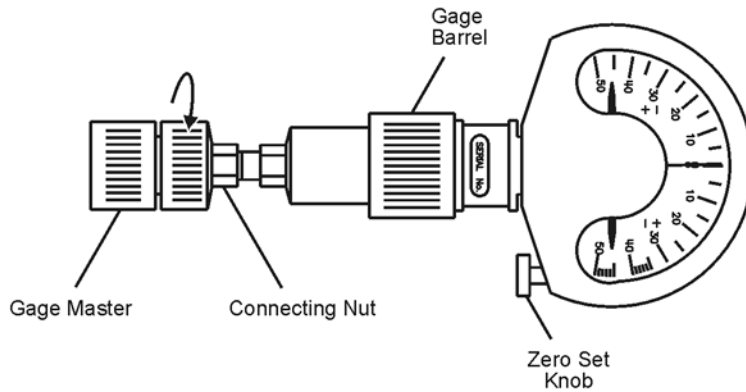
Figure 3-9 Gaging a 2.4 mm and 2.92 mm Connectors

Note:

Although male devices are shown in this illustration, the procedure is essentially the same for female devices.

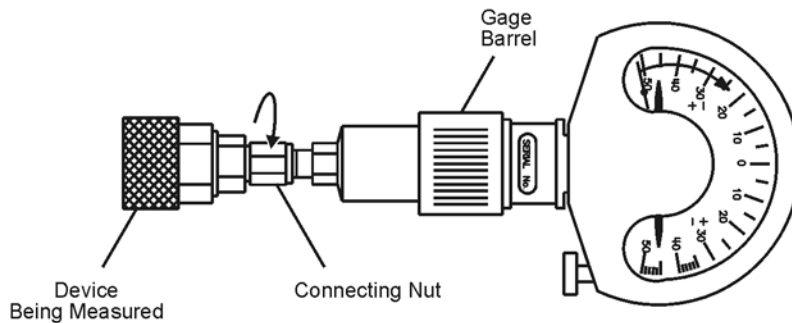
Zero the Connector Gage

- Connect the gage to the gage master.
- Torque the connecting nut.
- Gently tap the gage barrel to settle the reading.
- Using the zero set knob, adjust the gage pointer to line up exactly with the zero mark.
- Remove the gage master.



Gage the Device Connector

- Connect the gage to the device being measured.
- Torque the connecting nut.
- Gently tap the gage barrel to settle the reading.
- Read recession or protrusion from the gage.
- Remove the device.
- Repeat two additional times and average the three readings.



ph71a

Gaging the 2.4 mm Sliding Loads (Option 001 only)

Gage the sliding load before each use. If the sliding load pin depth is out of the observed pin depth limits listed in [Table 2-2 on page 2-4](#), refer to [“Adjusting the Sliding Load Pin Depth” on page 3-25](#).

NOTE Always hold a connector gage by the gage barrel, below the dial indicator. This gives the best stability, and improves measurement accuracy. (Cradling the gage in your hand or holding it by the dial applies stress to the gage plunger mechanism through the dial indicator housing.)

NOTE The sliding load uses a plastic centering bead to support its center conductor when pin depth is adjusted and gaged and when the load is stored. Remove this support bead from the sliding load before you connect the load for an electrical calibration. Reinsert this support bead when you’ve finished using the sliding load.

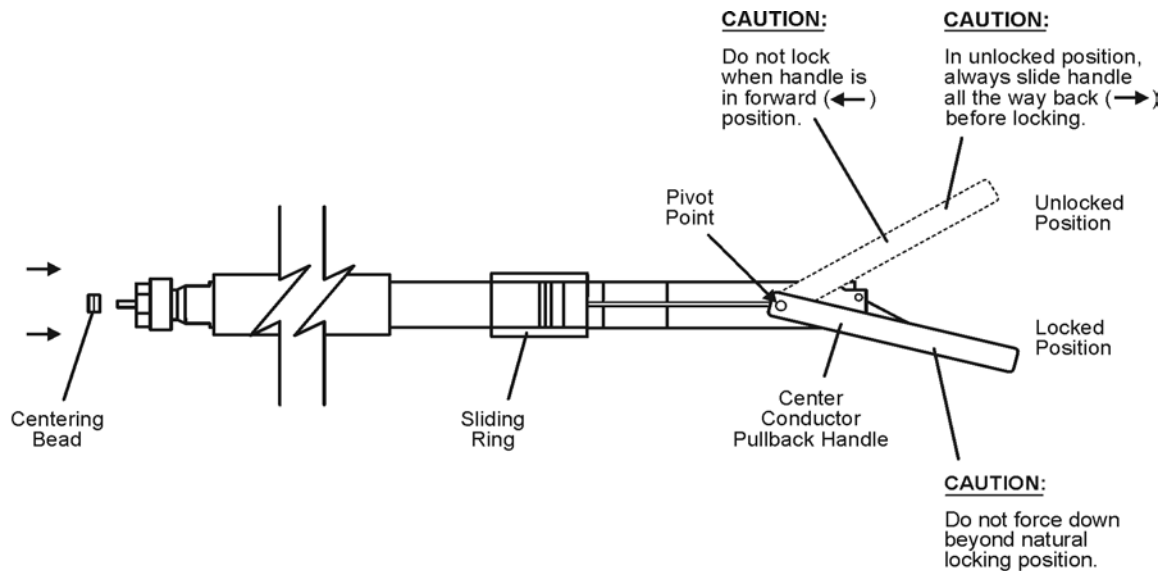
1. Select the proper gage for your connector. Refer to [Table 6-1 on page 6-2](#) for gage part numbers.
2. Inspect and clean the gage, gage master, and device to be gaged. Refer to [“Visual Inspection” on page 3-3](#) and [“Cleaning Connectors” on page 3-16](#) earlier in this chapter.
3. Zero the connector gage (refer to [Figure 3-10 on page 3-23](#)):
 - a. While holding the gage by the barrel, and without turning the gage or the device, connect the gage to the gage master by interconnecting the male and female connectors. Connect the nut finger-tight. Do not overtighten.
 - b. Using an open-end wrench to keep the body of the sliding load from rotating, use the torque wrench included in the kit to tighten the connecting nut to 90 N-cm (8 in-lb). Refer to [“Final Connection Using a Torque Wrench” on page 3-27](#) for additional information.
 - c. As you watch the gage pointer, gently tap the barrel of the gage to settle the reading. The gage pointer should line up exactly with the zero mark on the gage. If not, adjust the zero set knob until the gage pointer lines up exactly with the zero mark.
 - d. Remove the gage master.
4. Gage the sliding load connector (refer to [Figure 3-10 on page 3-23](#)):
 - a. Unlock the center conductor pullback mechanism by raising the pullback handle to the unlocked position.
 - b. Carefully move the pullback mechanism toward the connector end of the sliding load. The center conductor will extend beyond the end of the connector. Continue to hold the pullback mechanism in this position.
 - c. Pull the sliding ring back approximately 0.5 in and install a centering bead (if not already installed) in the connector end of the sliding load.

CAUTION The sliding load center conductor can be damaged if the sliding load is not in alignment with the mating connector while making the connection.

- d. Keep the center conductor extended by holding the center conductor pullback mechanism toward the connector end of the sliding load. Align the sliding load with the mating connector on the gage and mate the sliding load center conductor with the gage center conductor.
- e. Release the center conductor pullback mechanism and move the body of the sliding load toward the gage to mate the outer conductor of the sliding load connector with the outer conductor of the gage connector.
- f. Without turning the gage or the sliding load, connect the gage to the sliding load being measured by interconnecting the male and female connectors. Connect the nut finger-tight. Do not overtighten.
- g. Using a 5/16-in wrench to keep the body of the sliding load from rotating, use the torque wrench included in the kit to tighten the connecting nut to 90 N-cm (8 in-lb). Refer to [“Final Connection Using a Torque Wrench”](#) on page 3-27 for additional information.

CAUTION Always move the center conductor pullback mechanism back before locking the handle. Do not force the handle past the locked position.

Figure 3-10 Gaging the 2.4 mm Sliding Loads



ph710a

- h. Move the center conductor pullback mechanism back (away from the connector end of the sliding load), and place the pullback handle in its locked position.
- i. Gently tap the barrel of the gage with your finger to settle the gage reading.

- j. Read the gage indicator dial. Read *only* the black \pm signs; *not* the red \pm signs.

For maximum accuracy, measure the connector a minimum of three times and take an average of the readings. Use different orientations of the gage within the connector. After each measurement, rotate the gage a quarter-turn to reduce measurement variations that result from the gage or the connector face not being exactly perpendicular to the center axis.

- k. Compare the average reading with the observed pin depth limits in [Table 2-2 on page 2-4](#). If the pin depth is outside the limits, it must be adjusted before proceeding. Refer to [“Adjusting the Sliding Load Pin Depth” on page 3-25](#).
- l. Without turning the gage or the sliding load, loosen the connection between the gage and the sliding load and remove the sliding load from the gage.
- m. Leave the centering bead installed on the sliding load if you are going to adjust the pin depth. If, instead, you are going to use the sliding load for an electrical calibration, carefully remove the centering bead. If the centering bead does not come out of the sliding load easily:
 - i. Unlock the center conductor pullback handle and move the center conductor pullback mechanism toward the connector end of the sliding load to extend the center conductor.
 - ii. While holding the center conductor pullback mechanism toward the connector end of the sliding load, remove the centering bead.

If the centering bead still will not come out:

- i. Hold the sliding load with the connector end pointed downward.
- ii. Move the sliding ring up, then quickly down. The trapped air behind the centering bead should eject it.

Return the center conductor pullback mechanism to the rear of the sliding load and return the pullback handle to its locked position.

CAUTION Damage can occur to the sliding load during the removal of a centering bead that has slipped too far into the sliding load. If you're going to perform an electrical calibration, prevent damage by removing the centering bead immediately after gaging the sliding load pin depth. The sliding load will not perform to its specifications if the centering bead is not removed before an electrical calibration is performed.

Adjusting the Sliding Load Pin Depth

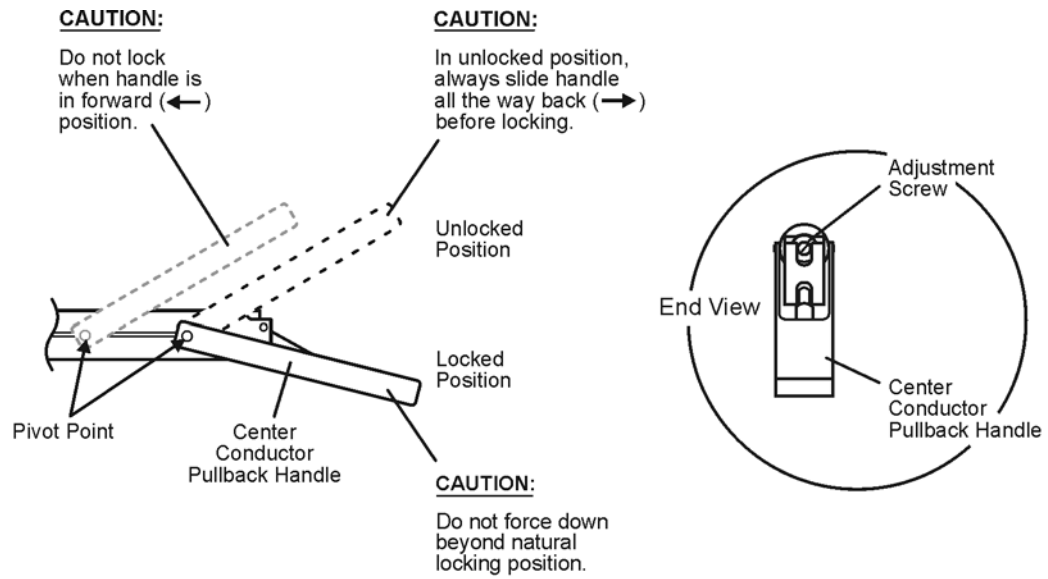
The sliding loads in this kit have a setback mechanism that allows the pin depth to be set to any desired value. The pin depth of the sliding load is preset at the factory. *The pin depth should not have to be reset each time the sliding load is used*, but it should be checked before each use.

If the pin depth is outside the *observed* limits listed in [Table 2-2 on page 2-4](#), use the following procedure to reset it to the nominal value of -0.00381 mm (-0.00015 in).

This procedure assumes that you were directed here from [“Gaging the 2.4 mm Sliding Loads” on page 3-23](#). If not, perform the steps in that procedure before performing this procedure.

1. The gage should be attached to the sliding load. The sliding load should have its centering bead installed. Refer to [“Gaging the 2.4 mm Sliding Loads” on page 3-23](#) if necessary.
2. The face of the gage and the label on the sliding load should be facing up.
3. The center conductor pullback handle should be in the locked position.
4. With a small screwdriver, gently turn the center conductor pin depth adjustment screw until the gage pointer reads -0.00381 mm (-0.00015 in). Refer to [Figure 3-11](#).
5. Wait approximately five minutes to allow the temperature to stabilize. Do not touch either the gage or the sliding load during this time.
6. Note the gage reading. If it is no longer within the allowable range, perform step 4 again.
7. Move the center conductor pullback handle to the unlocked position and then back to the locked position. The gage reading should return to the value previously set. If not, repeat steps 4 through 7.
8. Return to [“Gaging the 2.4 mm Sliding Loads” on page 3-23](#).

Figure 3-11 Adjusting the Sliding Load Pin Depth



ph79a

Making Connections

Good connections require a skilled operator. *The most common cause of measurement error is bad connections.* The following procedures illustrate how to make good connections.

How to Make a Connection

Preliminary Connection

1. Ground yourself and all devices. Wear a grounded wrist strap and work on a grounded, conductive table mat. Refer to [“Electrostatic Discharge” on page 3-2](#) for ESD precautions.
2. Visually inspect the connectors. Refer to [“Visual Inspection” on page 3-3](#).
3. If necessary, clean the connectors. Refer to [“Cleaning Connectors” on page 3-16](#).
4. Use a connector gage to verify that all center conductors are within the observed pin depth values in [Table 2-2 on page 2-4](#). Refer to [“Gaging Connectors” on page 3-18](#).
5. Carefully align the connectors. The male connector center pin must slip concentrically into the contact finger of the female connector.

CAUTION Only turn the connector nut. Do not turn the device body. Damage to the center conductor can occur if the device body is twisted.

6. Push the connectors straight together and tighten the connector nut finger tight. As the center conductors mate, there is usually a slight resistance.
7. The preliminary connection is tight enough when the mating plane surfaces make uniform, light contact. Do not overtighten this connection.

A connection in which the outer conductors make gentle contact at all points on both mating surfaces is sufficient. Very light finger pressure is enough to accomplish this.
8. Make sure the connectors are properly supported. Relieve any side pressure on the connection from long or heavy devices or cables.

Final Connection Using a Torque Wrench

Use a torque wrench to make a final connection. [Table 3-1](#) provides information about the torque wrench recommended for use with the calibration kit. A torque wrench is included in the calibration kit. Refer to [Table 6-1 on page 6-2](#) for replacement part number and ordering information.

Table 3-1 Torque Wrench Information

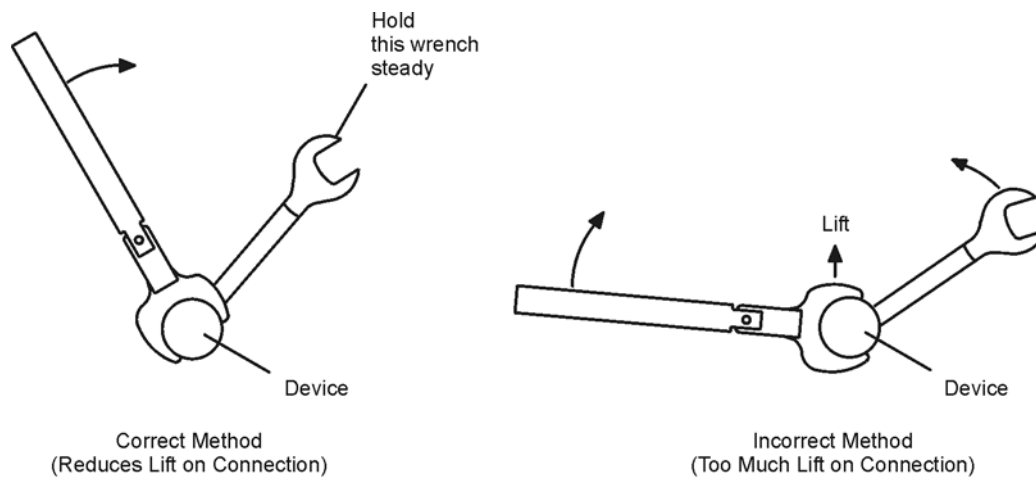
| Connector Type | Torque Setting | Torque Tolerance |
|----------------|-------------------|-----------------------------|
| 2.92 mm | 56 N-cm (5 in-lb) | 5.6 N-cm (± 0.5 in-lb) |
| 2.4 mm | 90 N-cm (8 in-lb) | 9.0 N-cm (± 0.8 in-lb) |

Using a torque wrench guarantees that the connection is not too tight, preventing possible connector damage. It also guarantees that all connections are equally tight each time.

Prevent the rotation of anything other than the connector nut that you are tightening. It may be possible to do this by hand if one of the connectors is fixed (as on a test port). However, it is recommended that you use an open-end wrench to keep the body of the device from turning.

1. Position both wrenches within 90 degrees of each other before applying force. See [Figure 3-12](#). Wrenches opposing each other (greater than 90 degrees apart) will cause a lifting action which can misalign and stress the connections of the devices involved. This is especially true when several devices are connected together.

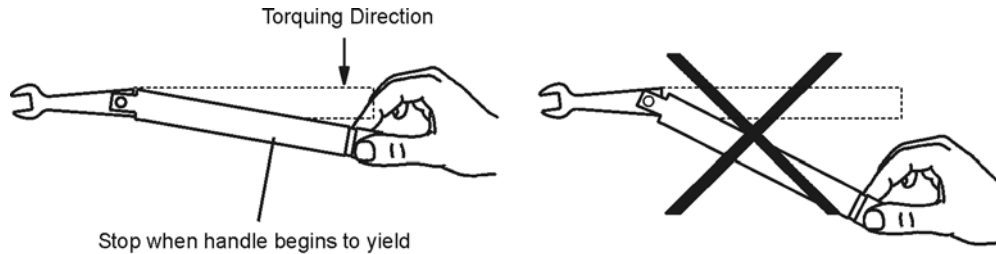
Figure 3-12 Wrench Positions



ph711a

2. Hold the torque wrench lightly, at the end of the handle only (beyond the groove). See [Figure 3-13](#).

Figure 3-13 Using the Torque Wrench



ph712a

3. Apply downward force perpendicular to the wrench handle. This applies torque to the connection through the wrench.

Do not hold the wrench so tightly that you push the handle straight down along its length rather than pivoting it, otherwise you apply an unknown amount of torque.

4. Tighten the connection just to the torque wrench break point. The wrench handle gives way at its internal pivot point. See [Figure 3-13](#). Do not tighten the connection further.

CAUTION You don't have to fully break the handle of the torque wrench to reach the specified torque; doing so can cause the handle to kick back and loosen the connection. Any give at all in the handle is sufficient torque.

Connecting the Sliding Load (Option 001 only)

NOTE The sliding load uses a plastic centering bead to support its center conductor when pin depth is adjusted and gaged and when the load is stored. Remove this support bead from the sliding load before you connect the load for an electrical calibration. Reinsert this support bead when you've finished using the sliding load.

CAUTION Circuitry inside the test set at the test ports may be destroyed if precautions are not taken to avoid electrostatic discharge (ESD). During this procedure, the center conductor of the sliding load is connected to the exposed center conductor of the test port. Ground yourself to prevent electrostatic discharge.

CAUTION The sliding load center conductor can be damaged if the sliding load is not held in line when mating the load to a connector. Always line up the sliding load when connecting or removing it from a connector.

1. Unlock the center conductor pullback mechanism by raising the pullback handle to the unlocked position. Refer to [Figure 3-14 on page 3-30](#).
2. Carefully move the pullback mechanism toward the connector end of the sliding load.

The center conductor will extend beyond the end of the conductor. Continue to hold the pullback mechanism in this position.

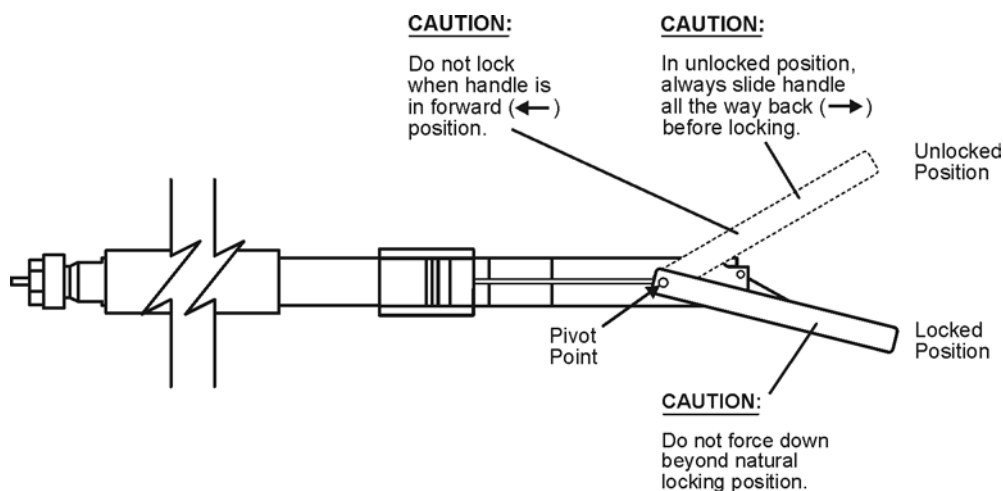
CAUTION The sliding load center conductor can be damaged if the sliding load is not in alignment with the mating connector while making the connection.

3. Keep the center conductor extended by holding the center conductor pullback mechanism toward the connector end of the sliding load. Align the sliding load with the mating connector on the cable or test port to which it is being connected and mate the sliding load center conductor with the center conductor of the cable or test port.
4. Release the center conductor pullback mechanism and move the body of the sliding load toward the cable or test port to mate the outer conductor of the sliding load connector to the outer conductor of the cable or test port connector.
5. Without turning the sliding load, connect the sliding load to the cable or test port by interconnecting the male and female connectors. Connect the nut finger-tight. Do not overtighten.
6. Using an open-end wrench to keep the body of the sliding load from rotating, use the torque wrench included in the kit to tighten the connecting nut to 90 N-cm (8 in-lb). Refer to [“Final Connection Using a Torque Wrench”](#) on page 3-27 for additional information.

CAUTION Always move the center conductor pullback mechanism back before locking the handle. Do not force the handle past the locked position.

7. Move the center conductor pullback mechanism back (away from the connector end of the sliding load), and place the pullback handle in its locked position.

Figure 3-14 Connecting the Sliding Load



ph73a

How to Separate a Connection

To avoid lateral (bending) force on the connector mating plane surfaces, always support the devices and connections.

CAUTION Do *not* turn the device body. Only turn the connector nut. Damage to the center conductor can occur if the device body is twisted.

1. Use an open-end wrench to prevent the device body from turning.
2. Use another open-end wrench to loosen the connecting nut.
3. Complete the separation by hand, turning only the connecting nut.
4. Pull the connectors straight apart without twisting, rocking, or bending either of the connectors.

Using the Sliding Load (Option 001 only)

When performing a sliding load calibration, it is recommended that the sliding ring be set at the marked positions (rings) along the sliding load body. Using the set marks ensures that a broad distribution of phase angles is selected, thereby optimizing the calibration.

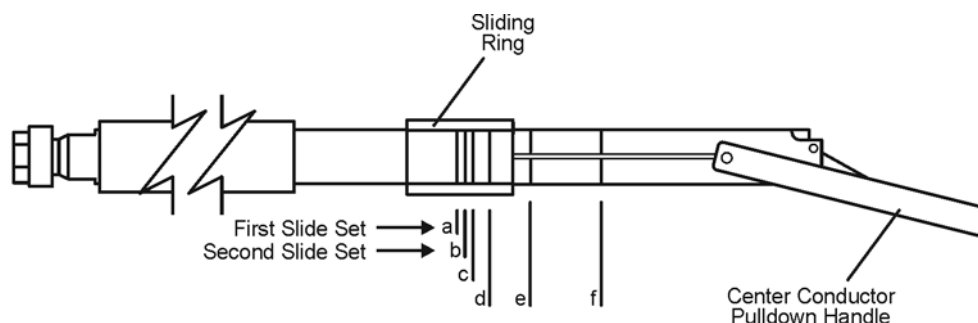
The set marks function as detents so that the internal center of the sliding ring can mate with them. Because of this, the set mark being used cannot be seen but is felt as the sliding ring is moved from mark to mark during a calibration. Moving the sliding ring with only the index fingers of both hands will increase your ability to detect the sliding ring detent at each position.

1. Move the sliding ring forward as far as possible toward the connector end of the load.
2. Move the sliding ring back until you feel it detent at the first set mark. You should see the two uncovered set marks between the back surface of the sliding ring and the center conductor pullback end of the sliding load.

NOTE After a calibration has begun, always move the sliding ring toward the center conductor pullback end of the sliding load. If you slightly overshoot the desired mark by less than 0.5 mm (0.02 inch), do not move the sliding ring, but continue with the calibration as if the sliding ring is set to the proper position. If the sliding ring is moved toward the connector end of the load during the calibration sequence, the calibration may be unstable and poor measurements may result. If the desired position is overshoot by more than 0.5 mm (0.02 inch), restart the calibration sequence from step 1.

To perform a calibration, refer to your network analyzer's user's guide for instructions.

Figure 3-15 Sliding Load Set Marks



ph74a

Handling and Storage

- Install the protective end caps and store the calibration devices in the foam-lined storage case when not in use.
- Never store connectors loose in a box, or in a desk or bench drawer. This is the most common cause of connector damage during storage.
- Keep connectors clean.
- Do not touch mating plane surfaces. Natural skin oils and microscopic particles of dirt are easily transferred to a connector interface and are very difficult to remove.
- Do not set connectors contact-end down on a hard surface. The plating and the mating plane surfaces can be damaged if the interface comes in contact with any hard surface.

4 Performance Verification

Introduction

The performance of your calibration kit can only be verified by returning the kit to Agilent Technologies for recertification. The equipment required to verify the specifications of the devices in the kit has been specially manufactured and is not commercially available.

How Agilent Verifies the Devices in Your Kit

Agilent verifies the specifications of these devices as follows:

1. The residual microwave error terms of the test system are verified with precision airlines and shorts that are directly traced to the National Institute of Standards and Technology (NIST). The airline and short characteristics are developed from mechanical measurements. The mechanical measurements and material properties are carefully modeled to give very accurate electrical representation. The mechanical measurements are then traced to NIST through various plug and ring gages and other mechanical measurements.
2. Each calibration device is electrically tested on this system. For the initial (before sale) testing of the calibration devices, Agilent includes the test measurement uncertainty as a guardband to guarantee each device meets the published specification. For recertifications (after sale), no guardband is used and the measured data is compared directly with the specification to determine the pass or fail status. The measurement uncertainty for each device is, however, recorded in the calibration report that accompanies recertified kits.

These two steps establish a traceable link to NIST for Agilent to the extent allowed by the institute's calibration facility. The specifications data provided for the devices in the kit is traceable to NIST through Agilent Technologies.

Recertification

The following will be provided with a recertified kit:

- a new calibration sticker affixed to the case
- a certificate of calibration
- a calibration report for each device in the kit listing measured values, specifications, and uncertainties

NOTE A list of NIST traceable numbers may be purchased upon request to be included in the calibration report.

Agilent Technologies offers a *Standard* calibration for the recertification of the kit. For more information, contact Agilent Technologies. See [Table on page 5-4](#) for contact information.

How Often to Recertify

The suggested initial interval for recertification is 12 months or sooner. The actual need for recertification depends on the use of the kit. After reviewing the results of the initial recertification, you may establish a different recertification interval that reflects the usage and wear of the kit.

NOTE The recertification interval should begin on the date the kit is *first used* after the recertification date.

Where to Send a Kit for Recertification

Contact Agilent Technologies for information on where to send your kit for recertification. Contact information is listed on [page 5-4](#). Refer to "[Returning a Kit or Device to Agilent](#)," on [page 5-3](#) for details on sending your kit.

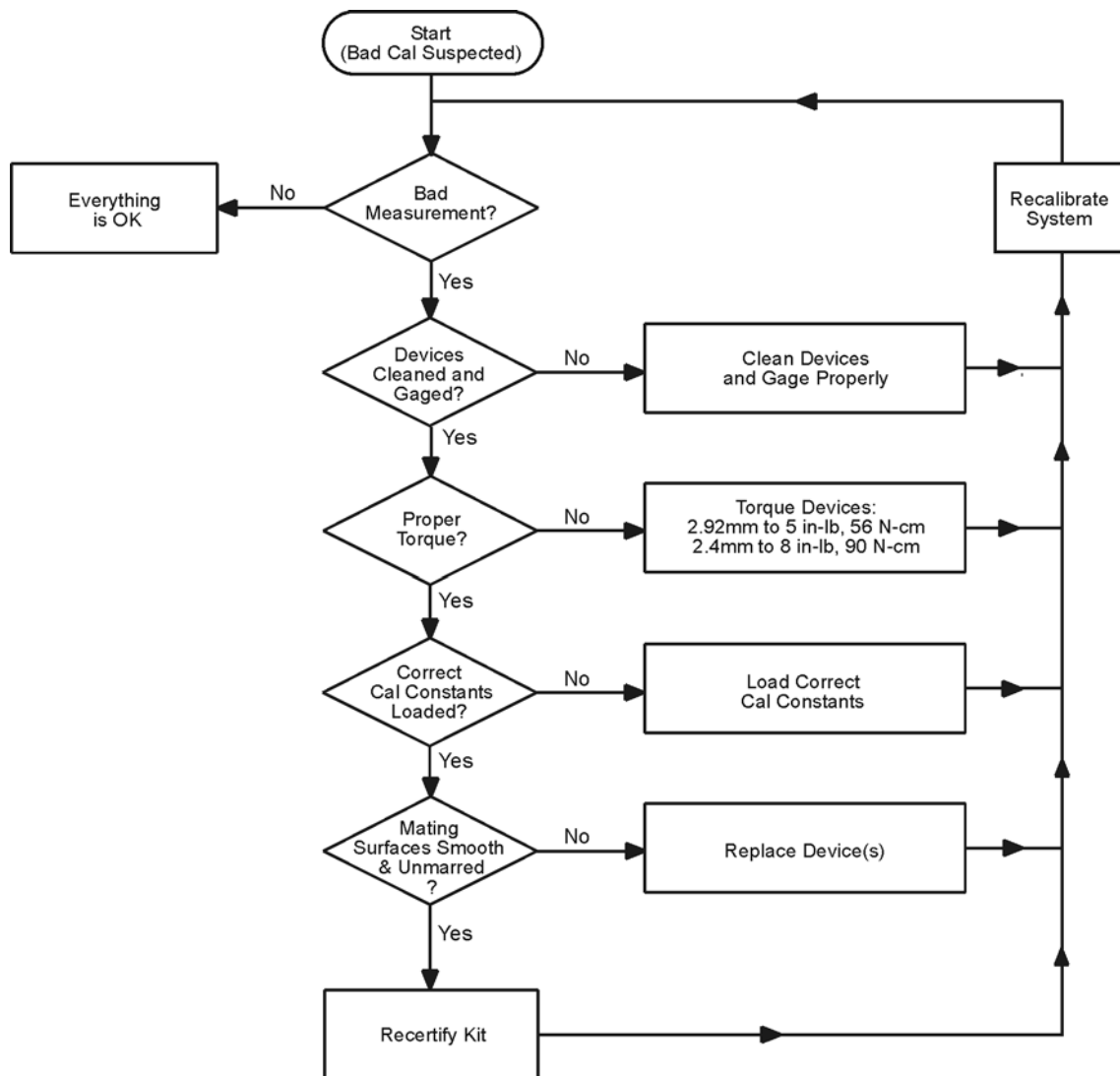
5 Troubleshooting

Troubleshooting Process

This manual contains limited information about network analyzer system operation. For complete information, refer to the instrument documentation.

If you suspect a bad calibration, or if your network analyzer does not pass performance verification, follow the steps in [Figure 5-1](#).

Figure 5-1 Troubleshooting Flowchart



wh701d

Returning a Kit or Device to Agilent

If your kit or device requires service, contact Agilent Technologies for information on where to send it. See “[Contacting Agilent](#)” on page 5-4 for contact information. Include a service tag (located near the end of this manual) on which you provide the following information:

- your company name and address
- a technical contact person within your company, and the person’s complete phone number
- the model number and serial number of the kit
- the part number and serial number of each device
- the type of service required
- a *detailed* description of the problem and how the device was being used when the problem occurred (such as calibration or measurement)

Contacting Agilent

| | | | |
|---|---|--|--|
| Online assistance: www.agilent.com/find/assist | | | |
| Americas | | | |
| Brazil (tel) (+55) 11 3351 7012 (fax) (+55) 11 3351 7024 | Canada (tel) +1 877 894 4414 (alt) +1 303 662 3369 (fax) +1 800 746 4866 | Mexico (tel) 1800 254 2440 Ext 2703 (alt) from USA 18008374039 (fax) 1 800 254 422 | United States (tel) 800 829 4444 (alt) (+1) 303 662 3998 (fax) 800 829 4433 |
| Asia Pacific and Japan | | | |
| Australia (tel) 1 800 225 574 (fax) 1 800 681 776 (fax) 1 800 225 539 | China (tel) 800 810 0189 (fax) 800 820 2816 | Hong Kong (tel) 800 933 229 (fax) 800 900 701 | India (tel) 1600 112 626 (alt) +65 6275 0800 (fax) 1600 113 040 |
| Japan (Bench) (tel) 0120 421 345 (alt) (+81) 426 56 7832 (fax) 0120 01 2144 | Japan (On-Site) (tel) 0120 421 345 (alt) (+81) 426 56 7832 (fax) 0120 012 114 | Malaysia (tel) 1800 880 399 (fax) 1800 801 054 | New Zealand (tel) +64 4 939 0635 (alt) 0800 738 378 (fax) +64 4 972 5364 |
| Singapore (tel) 1 800 275 0880 (fax) (+65) 6755 1214 | South Korea (tel) 080 778 0011 (fax) 080 778 0013 | Taiwan (tel) 0800 047 669 (fax) 0800 047 667 (fax) +886 3492 0779 | Thailand (tel) +66 2 267 5913 (tel) 1 800 2758 5822 (fax) 1 800 653 336 |
| Europe | | | |
| Austria (tel) 0820 87 44 11* (fax) 0820 87 44 22 | Belgium (tel) (+32) (0)2 404 9340 (fax) (+32) (0)2 404 9395 | Denmark (tel) (+45) 7013 1515 (fax) (+45) 7013 1555 | Finland (tel) (+358) (0) 10 855 2100 (fax) (+358) (0) 10 855 2923 |
| France (tel) 0825 010 700* (fax) 0825 010 701* | Germany (tel) 01805 24 6333* (fax) 01805 24 6336* | Ireland (tel) (+353) 1 890 924 204 (fax) 1 890 924 024 | Israel (tel) (+972) 3 9288 504 (alt) (+972) 3 9288 544 (fax) (+972) 3 9288 520 |
| Italy (tel) (+39) (0)2 9260 8484 (fax) (+39) (0)2 9544 1175 | Luxemburg (tel) (+32) (0)2 404 9340 (fax) (+32) (0)2 404 9395 | Netherlands (tel) (+31) (0)20 547 2111 (fax) (+31) (0)20 547 2190 | Russia (tel) (+7) 095 797 3963 (alt) (+7) 095 797 3900 (fax) (+7) 095 797 3901 |
| Spain (tel) (+34) 91 631 3300 (fax) (+34) 91 631 3301 | Sweden (tel) 0200 88 22 55* (alt) (+46) (0)8 5064 8686 (fax) 020 120 2266* | Switzerland (French) (tel) 0800 80 5353 opt. 2* (fax) (0) 22 567 5313 | Switzerland (German) (tel) 0800 80 5353 opt. 1* (fax) 0 44 272 7373 |
| Switzerland (Italian) (tel) 0800 80 5353 opt. 3* (fax) (0) 22 567 5314 | United Kingdom (tel) (+44) (0)7004 666666 (fax) (+44) (0)7004 444555 | | |
| (tel) = primary telephone number; (alt) = alternate telephone number; (fax) = FAX number; * = in country number 8/10/05 | | | |

6 Replaceable Parts

Introduction

Table 6-1 lists the replacement part numbers for items included in the 85056K calibration kit and Figure 6-1. illustrates each of these items.

Table 6-2 on page 6-4 lists the replacement part numbers for items not included in the calibration kit that are either required or recommended for successful operation of the kit.

To order a listed part, note the description, the part number, and the quantity desired. Telephone or send your order to Agilent Technologies. See “Contacting Agilent” on page 5-4.

Table 6-1 Replaceable Parts for the 85056K Calibration Kit

| Description ^a | Qty Per Kit | Agilent Part Number |
|-------------------------------------|-------------|---------------------|
| Calibration Devices (2.4 mm) | | |
| Male broadband load | 1 | 00901-60003 |
| Female broadband load | 1 | 00901-60004 |
| Male offset open | 1 | 85056-60022 |
| Female offset open | 1 | 85056-60023 |
| Male offset short | 1 | 85056-60020 |
| Female offset short | 1 | 85056-60021 |
| Adapters | | |
| 2.4 mm –m– to –m– | 1 | 85056-60005 |
| 2.4 mm –f– to –f– | 1 | 85056-60006 |
| 2.4 mm –m– to –f– | 1 | 85056-60007 |
| 2.4 mm –m– to 2.92 mm –m– | 1 | 11904-60001 |
| 2.4 mm –m– to 2.92 mm –f– | 1 | 11904-60003 |
| 2.4 mm –f– to 2.92 mm –m– | 1 | 11904-60004 |
| 2.4 mm –f– to 2.92 mm –f– | 1 | 11904-60002 |
| Calibration Kit Storage Case | | |
| Box (including foam pads) | 1 | 85056-60019 |
| Box (without foam pads) | 1 | 5180-7862 |
| Foam pad (for lid) | 1 | 5181-5544 |
| Foam pad (for lower case) | 1 | 85052-80023 |

Table 6-1 Replaceable Parts for the 85056K Calibration Kit

| Description ^a | Qty Per Kit | Agilent Part Number |
|---|-------------|---------------------|
| Wrenches | | |
| 5/16 in, 90 N-cm (8 in-lb) torque wrench (for 2.4 mm connectors) | 1 | 8710-1765 |
| 5/16 in, 90 N-cm (5 in-lb) torque wrench (for 2.92 mm connectors) | 1 | 8710-1582 |
| 7 mm open-end wrench | 1 | 8710-1761 |
| Items Included Only With Option 001 | | |
| 2.4 mm Sliding Load –m– | 1 | 00915-60003 |
| 2.4 mm Sliding Load –f– | 1 | 00915-60004 |
| 2.4 mm male gage set (includes gage master) | 1 | 11752-60108 |
| 2.4 mm female gage set (includes gage master) | 1 | 11752-60107 |
| Centering Bead (for gaging 2.4 mm sliding load) | 2 | 85056-20001 |
| Tube Package | 1 | 1540-0803 |
| Miscellaneous Items | | |
| Calibration definitions disk (8510-series) | 1 | 85056-10006 |
| Specifications and performance verification disk set (8510-series) ^b | 1 | 08510-10033 |
| User's and service guide ^c | 1 | 85056-90019 |

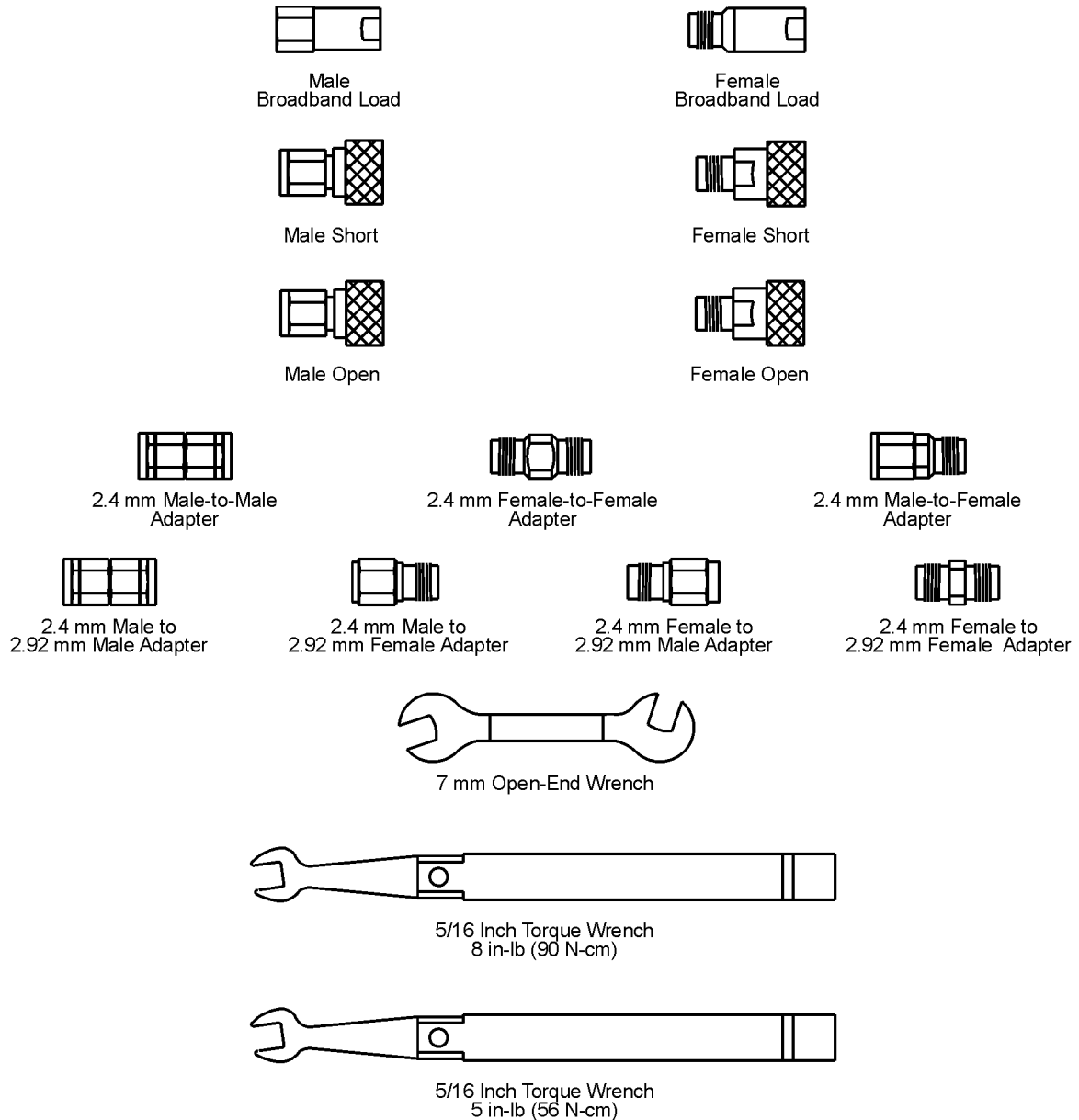
- a. Refer to [“Clarifying the Terminology of a Connector Interface” on page 1-5.](#)
- b. See the 8510 on-site service manual (08510-90282) for instructions on using this disk set.
- c. See [“Printing Copies of Documentation from the Web” on page iii.](#)

Table 6-2 Items Not Included in the Calibration Kit

| Description ^a | Qty | Agilent Part Number |
|---|-------|---------------------|
| 3.5 mm Connector Gages (used for 2.92 mm connectors) | | |
| Male gage set (includes gage master) | 1 | 11752-60106 |
| Female gage set (includes gage master) | 1 | 11752-60105 |
| Open-End Wrench | | |
| 5/16 in open-end wrench | 1 | 8720-0015 |
| ESD Protection Devices | | |
| Grounding wrist strap | 1 | 9300-1367 |
| 5 ft grounding cord for wrist strap | 1 | 9300-0980 |
| 2 ft by 4 ft conductive table mat with 15 ft grounding wire | 1 | 9300-0797 |
| ESD heel strap | 1 | 9300-1308 |
| Connector Cleaning Supplies | | |
| Isopropyl alcohol | 30 ml | 8500-5344 |
| Foam-tipped cleaning swabs | 100 | 9301-1243 |

a. Refer to [“Clarifying the Terminology of a Connector Interface” on page 1-5.](#)

Figure 6-1. Replaceable Parts for the 85056K Calibration Kit



NOT SHOWN:

- Calibration constants disks
- Specifications and performance verification disk
- User's and service guide
- Storage case
- Sliding loads, 2.4 mm gage sets (Option 001)

ph701k

A Standard Definitions

Version Changes

Class assignments and standard definitions may change as more accurate model and calibration methods are developed. The disk shipped with the kit will contain the most recent version.

Standard Class Assignments

Class assignment organizes calibration standards into a format compatible with the error models used in the measurement calibration. A class or group of classes corresponds to the systematic errors to be removed from the measured network analyzer response. Table A-1 through A-7 list the classes used by the following network analyzers. This information resides on the calibration definitions disk included in the kit.

Table A-1 Standard Class Assignments for the 8510 with 2.4 mm Devices

| Disk File Name: CK_24MMA4 | | | | Calibration Label: 2.4 mm A.4 | | | | |
|---|----|----|----|-------------------------------|---|---|---|--------------------|
| Class | A | B | C | D | E | F | G | Std Class Label |
| S ₁₁ A | 2 | | | | | | | Open |
| S ₁₁ B | 1 | | | | | | | Short |
| S ₁₁ C | 9 | 10 | 12 | | | | | Loads |
| S ₂₂ A | 2 | | | | | | | Open |
| S ₂₂ B | 1 | | | | | | | Short |
| S ₂₂ C | 9 | 10 | 12 | | | | | Loads |
| Forward transmission | 11 | | | | | | | Thru |
| Reverse transmission | 11 | | | | | | | Thru |
| Forward match | 11 | | | | | | | Thru |
| Reverse match | 11 | | | | | | | Thru |
| Forward isolation ^a | 9 | | | | | | | Isolation Standard |
| Reverse isolation | 9 | | | | | | | Isolation Standard |
| Frequency response | 1 | 2 | 11 | | | | | Response |
| TRL thru | 14 | | | | | | | Undefined |
| TRL reflect | 1 | | | | | | | Undefined |
| TRL line | 15 | | | | | | | Undefined |
| Adapter | 13 | 5 | 6 | 7 | 8 | | | Adapter |
| TRL Option | | | | | | | | |
| Cal Z₀: _____ System Z ₀ ___X___ Line Z ₀ | | | | | | | | |
| Set ref: ___X___ Thru _____ Reflect | | | | | | | | |
| Lowband frequency: _____ | | | | | | | | |

a. The forward isolation standard is also used for the isolation part of a response and isolation calibration.

Table A-2 Standard Class Assignments for the 8510 with 2.92 mm Devices

| Disk File Name: CK_292mmA2 | | | | Calibration Label: 2.92 mm A.2 | | | | |
|--|----|----|----|--------------------------------|---|---|---|----------------------|
| Class | A | B | C | D | E | F | G | Standard Class Label |
| S ₁₁ A | 2 | | | | | | | Open |
| S ₁₁ B | 1 | | | | | | | Short |
| S ₁₁ C | 9 | 10 | 12 | | | | | Loads |
| S ₂₂ A | 2 | | | | | | | Open |
| S ₂₂ B | 1 | | | | | | | Short |
| S ₂₂ C | 9 | 10 | 12 | | | | | Loads |
| Forward transmission | 11 | | | | | | | Thru |
| Reverse transmission | 11 | | | | | | | Thru |
| Forward match | 11 | | | | | | | Thru |
| Reverse match | 11 | | | | | | | Thru |
| Forward isolation ^a | 9 | | | | | | | Isolation Standard |
| Reverse isolation | 9 | | | | | | | Isolation Standard |
| Frequency response | 1 | 2 | 11 | | | | | Response |
| TRL thru | | | | | | | | Undefined |
| TRL reflect | | | | | | | | Undefined |
| TRL line | | | | | | | | Undefined |
| Adapter | 13 | 5 | 6 | 7 | 8 | | | Adapter |
| TRL Option | | | | | | | | |
| Cal Z₀: <input checked="" type="checkbox"/> System Z ₀ <input type="checkbox"/> Line Z ₀ | | | | | | | | |
| Set ref: <input checked="" type="checkbox"/> Thru <input type="checkbox"/> Reflect | | | | | | | | |
| Lowband frequency: _____ | | | | | | | | |

a. The forward isolation standard is also used for the isolation part of a response and isolation calibration.

Table A-3 Standard Class Assignments for the 872x with 2.4 mm Devices

| Calibration Label: [2.4mm] | | | | | | | | |
|--|---|---|---|---|---|---|---|----------------------|
| Class | A | B | C | D | E | F | G | Standard Class Label |
| S ₁₁ A | 2 | | | | | | | Open |
| S ₁₁ B | 1 | | | | | | | Short |
| S ₁₁ C | 3 | 5 | 6 | | | | | Loads |
| S ₂₂ A | 2 | | | | | | | Open |
| S ₂₂ B | 1 | | | | | | | Short |
| S ₂₂ C | 3 | 5 | 6 | | | | | Loads |
| Forward transmission | 4 | | | | | | | Thru |
| Reverse transmission | 4 | | | | | | | Thru |
| Forward match | 4 | | | | | | | Thru |
| Reverse match | 4 | | | | | | | Thru |
| Response | 1 | 2 | 4 | | | | | Response |
| Response & isolation | 1 | 2 | 4 | | | | | Response |
| TRL thru | 4 | | | | | | | Undefined |
| TRL reflect | 2 | | | | | | | Undefined |
| TRL line | 3 | 5 | 6 | | | | | Undefined |
| TRL Option | | | | | | | | |
| Cal Z₀: ___ System Z ₀ <u> X </u> Line Z ₀ | | | | | | | | |
| Set ref: <u> X </u> Thru ___ Reflect | | | | | | | | |

Table A-4 Standard Class Assignments for the 872x with 2.92 mm Devices

| Calibration Label: [2.92*] | | | | | | | | |
|----------------------------|---------------------------|---|-------------------------|---|---|---|---|----------------------|
| Class | A | B | C | D | E | F | G | Standard Class Label |
| S ₁₁ A | 2 | | | | | | | Open |
| S ₁₁ B | 1 | | | | | | | Short |
| S ₁₁ C | 3 | 5 | 6 | | | | | Loads |
| S ₂₂ A | 2 | | | | | | | Open |
| S ₂₂ B | 1 | | | | | | | Short |
| S ₂₂ C | 3 | 5 | 6 | | | | | Loads |
| Forward transmission | 4 | | | | | | | Thru |
| Reverse transmission | 4 | | | | | | | Thru |
| Forward match | 4 | | | | | | | Thru |
| Reverse match | 4 | | | | | | | Thru |
| Response | 1 | 2 | 4 | | | | | Response |
| Response & isolation | 1 | 2 | 4 | | | | | Response |
| TRL thru | 4 | | | | | | | Undefined |
| TRL reflect | 2 | | | | | | | Undefined |
| TRL line | 3 | 5 | 6 | | | | | Undefined |
| TRL Option | | | | | | | | |
| Cal Z₀: | ___ System Z ₀ | | _X_ Line Z ₀ | | | | | |
| Set ref: | _X_ Thru | | ___ Reflect | | | | | |

Table A-5 Standard Class Assignments for the PNA Series Network Analyzer

| Calibration Kit Label: 2.4 mm/2.92 mm Model 85056K | |
|---|----------------|
| Class | A ^a |
| S ₁₁ A | 2 |
| S ₁₁ B | 1 |
| S ₁₁ C | 3, 5, 6 |
| S ₂₁ T | 4 |
| S ₂₂ A | 2 |
| S ₂₂ B | 1 |
| S ₂₂ C | 3, 5, 6 |
| S ₁₂ T | 4 |
| TRL 'T' | 4 |
| TRL 'R' | 2 |
| TRL 'L' | 3, 5, 6 |

a. For additional ports, make sure values match the correct sex of the port.

Table A-6 SOLT Class Assignments for the PNA 85056K 2.4 mm/2.92 mm Broadband Cal Kit

| Class Label | A | B | C | D | E | F | G |
|----------------------|----|----|---|---|---|---|---|
| S ₁₁ A | 4 | 13 | | | | | |
| S ₁₁ B | 9 | 18 | | | | | |
| S ₁₁ C | 1 | 12 | | | | | |
| S ₂₂ A | 4 | 13 | | | | | |
| S ₂₂ B | 9 | 18 | | | | | |
| S ₂₂ C | 1 | 12 | | | | | |
| Forward transmission | 19 | | | | | | |
| Reverse transmission | 19 | | | | | | |
| Forward match | 19 | | | | | | |
| Reverse match | 19 | | | | | | |
| Isolation | 1 | 12 | | | | | |

Table A-7 SOLT Class Assignments for the PNA 85056K01 2.4 mm/2.92 mm Sliding Load Cal Kit

| Class Label | A | B | C | D | E | F | G |
|----------------------|----|----|---|----|----|----|---|
| S ₁₁ A | 4 | 13 | | | | | |
| S ₁₁ B | 9 | 18 | | | | | |
| S ₁₁ C | 3 | 2 | 1 | 10 | 11 | 12 | |
| S ₂₂ A | 4 | 13 | | | | | |
| S ₂₂ B | 9 | 18 | | | | | |
| S ₂₂ C | 3 | 2 | 1 | 10 | 11 | 12 | |
| Forward transmission | 19 | | | | | | |
| Reverse transmission | 19 | | | | | | |
| Forward match | 19 | | | | | | |
| Reverse match | 19 | | | | | | |
| Isolation | 1 | 12 | | | | | |

Blank Forms

The standard class assignments may be changed to meet your specific requirements. [Table A-8](#) through [Table A-11](#) are provided to record the modified standard class assignments.

Table A-8 Blank Form for the PNA Series SOLT Class Assignments

| Class Label | A | B | C | D | E | F | G |
|----------------------|---|---|---|---|---|---|---|
| S ₁₁ A | | | | | | | |
| S ₁₁ B | | | | | | | |
| S ₁₁ C | | | | | | | |
| S ₂₂ A | | | | | | | |
| S ₂₂ B | | | | | | | |
| S ₂₂ C | | | | | | | |
| Forward transmission | | | | | | | |
| Reverse transmission | | | | | | | |
| Forward match | | | | | | | |
| Reverse match | | | | | | | |
| Isolation | | | | | | | |

Table A-9 Blank Form for the 8510 Network Analyzer

| Disk File Name: _____ | | | | Calibration Kit Label: _____ | | | | |
|--|---|---|---|------------------------------|---|---|---|----------------------|
| Class | A | B | C | D | E | F | G | Standard Class Label |
| S ₁₁ A | | | | | | | | |
| S ₁₁ B | | | | | | | | |
| S ₁₁ C | | | | | | | | |
| S ₂₂ A | | | | | | | | |
| S ₂₂ B | | | | | | | | |
| S ₂₂ C | | | | | | | | |
| Forward transmission | | | | | | | | |
| Reverse transmission | | | | | | | | |
| Forward match | | | | | | | | |
| Reverse match | | | | | | | | |
| Forward isolation ^a | | | | | | | | |
| Reverse isolation | | | | | | | | |
| Frequency response | | | | | | | | |
| TRL thru | | | | | | | | |
| TRL reflect | | | | | | | | |
| TRL line | | | | | | | | |
| Adapter | | | | | | | | |
| TRL Option | | | | | | | | |
| Cal Z ₀ : ___ System Z ₀ <u> X </u> Line Z ₀ | | | | | | | | |
| Set ref: <u> X </u> Thru ___ Reflect | | | | | | | | |
| Lowband frequency: _____ | | | | | | | | |

a. The forward isolation standard is also used for the isolation part of a response and isolation calibration.

Table A-10 Blank Form for the 872x Series Network Analyzer

| Disk File Name: _____ | | | | Calibration Label: _____ | | | | |
|---|---|---|---|--------------------------|---|---|---|----------------------|
| Tape File Number: _____ | | | | | | | | |
| Class | A | B | C | D | E | F | G | Standard Class Label |
| S ₁₁ A | | | | | | | | |
| S ₁₁ B | | | | | | | | |
| S ₁₁ C | | | | | | | | |
| S ₂₂ A | | | | | | | | |
| S ₂₂ B | | | | | | | | |
| S ₂₂ C | | | | | | | | |
| Forward transmission | | | | | | | | |
| Reverse transmission | | | | | | | | |
| Forward match | | | | | | | | |
| Reverse match | | | | | | | | |
| Frequency response | | | | | | | | |
| Response & isolation | | | | | | | | |
| TRL thru | | | | | | | | |
| TRL reflect | | | | | | | | |
| TRL line | | | | | | | | |
| TRL Option | | | | | | | | |
| Cal Z₀: ____ System Z ₀ ____ Line Z ₀ | | | | | | | | |
| Set ref: ____ Thru ____ Reflect | | | | | | | | |

Table A-11 Blank Form for the PNA Series Network Analyzer

| Calibration Kit Label: _____ | |
|---------------------------------|----------------|
| Class | A ^a |
| S ₁₁ A | |
| S ₁₁ B | |
| S ₁₁ C | |
| S ₂₁ T | |
| S ₂₂ A | |
| S ₂₂ B | |
| S ₂₂ C | |
| S ₁₂ T | |
| TRL 'T' | |
| TRL 'R' | |
| TRL 'L' | |

a. For additional ports, make sure values match the correct sex of the port.

Nominal Standard Definitions

Standard definitions provide the definitions needed to mathematically model the electrical characteristics (delay, attenuation, and impedance) of each calibration standard. The nominal values of these definitions are theoretically derived from the physical dimensions and material of each calibration standard, or from actual measured response. These values are used to determine the measurement uncertainties of the network analyzer. The standard definitions in [Tables A-12](#) through [Table A-19](#) list typical calibration parameters used by the following network analyzers to specify the mathematical model of each device. This information must be loaded into the network analyzer to perform valid calibrations. Refer to your network analyzer's user's guide for instructions on loading calibration definitions.

NOTE The values in the standard definitions table are valid *only* over the specified operating temperature range.

Setting the System Impedance

This contains only 50 ohm devices. Ensure the system impedance (Z_0) is set to 50 ohms. Refer to your network analyzer's user's guide for instructions on setting system impedance.

Version Changes

Class assignments and standard definitions may change as more accurate model and calibration methods are developed.

Table A-12 Standard Definitions for the 8510 with 2.4 mm Devices

| System $Z_0^a = 50.0 \Omega$ | | | | | | | | | | | | | Calibration Label: 2.4 mm A.4 | |
|------------------------------|--------------------|------------------------|---------------------------|-----------------------------|-----------------------------|-------------------------------|-------------|-------------------|----------------------|------------------|-------|-------------------|-------------------------------|--|
| Disk File Name: CK_24MMA4 | | | | | | | | | | | | | | |
| Standard ^b | | $C0 \times 10^{-15} F$ | $C1 \times 10^{-27} F/Hz$ | $C2 \times 10^{-36} F/Hz^2$ | $C3 \times 10^{-45} F/Hz^3$ | Fixed ^c or Sliding | Offset | | | Frequency in GHz | | Coax or Waveguide | Standard Label | |
| Number | Type | $L0 \times 10^{-12} H$ | $L1 \times 10^{-24} H/Hz$ | $L2 \times 10^{-33} H/Hz^2$ | $L3 \times 10^{-42} H/Hz^3$ | | Delay in ps | Z_0 in Ω | Loss in G Ω/s | Min | Max | | | |
| 1 | Short ^d | 2.1636 | -146.35 | 4.0443 | -0.0363 | | 22.548 | 50 | 3.554 | 0 | 999 | Coax | Short | |
| 2 | Open ^d | 29.722 | 165.78 | -3.5385 | 0.0710 | | 20.837 | 50 | 3.23 | 0 | 999 | Coax | Open | |
| 3 | | | | | | | | | | | | | | |
| 4 | | | | | | | | | | | | | | |
| 5 | Open ^e | 6.9558 | -1.0259 | -0.01435 | 0.0028 | | 0 | 50 | 0 | 0 | 999 | Coax | 3.5/2.92 | |
| 6 | Open ^e | 5.9588 | -11.195 | 0.5076 | -0.00243 | | 0 | 50 | 0 | 0 | 999 | Coax | 3.5/SMA | |
| 7 | Open ^e | 13.4203 | -1.9452 | 0.5459 | 0.01594 | | 0 | 50 | 0 | 0 | 999 | Coax | 2.92/SMA | |
| 8 | Open ^e | 8.9843 | -13.9923 | 0.3242 | -0.00112 | | 0 | 50 | 0 | 0 | 999 | Coax | 2.4/1.85 | |
| 9 | Load | | | | | Fixed | 0 | 50 | 0 | 0 | 999 | Coax | Broadband | |
| 10 | Load ^f | | | | | Sliding | 0 | 50 | 0 | 3.999 | 999 | Coax | Sliding | |
| 11 | Delay/ thru | | | | | | 0 | 50 | 0 | 0 | 999 | Coax | Thru | |
| 12 | Load | | | | | Fixed | 0 | 50 | 0 | 0 | 4.001 | Coax | Lowband | |
| 13 | Delay/ thru | | | | | | 43.240 | 50 | 7.0 | 0 | 999 | Coax | Adapter | |
| 14 | | | | | | | | | | | | | | |
| 15 | | | | | | | | | | | | | | |
| 16 | | | | | | | | | | | | | | |
| 17 | | | | | | | | | | | | | | |
| 18 | | | | | | | | | | | | | | |
| 19 | | | | | | | | | | | | | | |
| 20 | | | | | | | | | | | | | | |
| 21 | | | | | | | | | | | | | | |

- a. Ensure system Z_0 of network analyzer is set to this value.
- b. Open, short, load, delay/thru, or arbitrary impedance.
- c. Load or arbitrary impedance only.
- d. Typical values only. Disk values may be different.
- e. This standard type (open) is used to accurately model the adapter listed in the Standard Label column.
- f. For use with Option 001 only.

Table A-13 Standard Definitions for the 8510 with 2.92 mm Devices

| System $Z_0^a = 50.0 \Omega$ | | Calibration Label: 2.92 mm A.3 | | | | | | | | | | | |
|------------------------------|------------------------|--------------------------------|-----------------------------|-----------------------------|-----------------------------|-------------------------------|-------------|-------------------|----------------------|------------------|-------|-------------------|----------------|
| Disk File Name: CK_292MMA3 | | | | | | | | | | | | | |
| Number | Standard ^b | Offset | | | | Fixed ^c or Sliding | Offset | | | Frequency in GHz | | Coax or Waveguide | Standard Label |
| | | $C0 \times 10^{-15} F$ | $C1 \times 10^{-27} F/Hz$ | $C2 \times 10^{-36} F/Hz^2$ | $C3 \times 10^{-45} F/Hz^3$ | | Delay in ps | Z_0 in Ω | Loss in G Ω/s | Min | Max | | |
| Type | $L0 \times 10^{-12} H$ | $L1 \times 10^{-24} H/Hz$ | $L2 \times 10^{-33} H/Hz^2$ | $L3 \times 10^{-42} H/Hz^3$ | | | | | | | | | |
| 1 | Short ^d | 2.1636 | -146.35 | 4.0443 | -0.0363 | | -17.128 | 50 | 4.16 | 0 | 999 | Coax | Short |
| 2 | Open ^d | 29.722 | 165.78 | -3.5385 | 0.071 | | -18.842 | 50 | 4.47 | 0 | 999 | Coax | Open |
| 3 | | | | | | | | | | | | | |
| 4 | | | | | | | | | | | | | |
| 5 | Open ^e | 6.9558 | -1.0259 | -0.01435 | 0.0028 | | 0 | 50 | 0 | 0 | 999 | Coax | 3.5/2.92 |
| 6 | Open ^e | 5.9588 | -11.195 | 0.5076 | -0.00243 | | 0 | 50 | 0 | 0 | 999 | Coax | 3.5/SMA |
| 7 | Open ^e | 13.4203 | -1.9452 | 0.5459 | 0.01594 | | 0 | 50 | 0 | 0 | 999 | Coax | 2.92/SMA |
| 8 | Open ^e | 8.9843 | -13.9923 | 0.3242 | -0.00112 | | 0 | 50 | 0 | 0 | 999 | Coax | 2.4/1.85 |
| 9 | Load | | | | | Fixed | 0 | 50 | 0 | 0 | 999 | Coax | Broadband |
| 10 | Load ^f | | | | | Sliding | 0 | 50 | 0 | 3.999 | 999 | Coax | Sliding |
| 11 | Delay/ thru | | | | | | 0 | 50 | 0 | 0 | 999 | Coax | Thru |
| 12 | Load | | | | | Fixed | 0 | 50 | 0 | 0 | 4.001 | Coax | Lowband |
| 13 | Delay/ thru | | | | | | 43.24 | 50 | 3.843 | | 999 | Coax | Adapter |

- a. Ensure system Z_0 of network analyzer is set to this value.
- b. Open, short, load, delay/thru, or arbitrary impedance.
- c. Load or arbitrary impedance only.
- d. Typical values only. Disk values may be different.
- e. This standard type (open) is used to accurately model the adapter listed in the Standard Label column.
- f. For use with Option 001 only.

Table A-14 Standard Definitions for the 872x Series with 2.4 mm Devices

| Standard ^b | | Calibration Kit Label: [2.4 mm] | | | | | | | | | | | |
|-----------------------|-------------------|---------------------------------|-----------------------------|--|--|-------------------------------|-------------|---------------------|--------------|------------------|-------|-------------------|----------------|
| Number | Type | C0 × 10 ⁻¹⁵ F | C1 × 10 ⁻²⁷ F/Hz | C2 × 10 ⁻³⁶ F/Hz ² | C3 × 10 ⁻⁴⁵ F/Hz ³ | Fixed ^c or Sliding | Offset | | | Frequency in GHz | | Coax or Waveguide | Standard Label |
| | | | | | | | Delay in ps | Z ₀ in Ω | Loss in GΩ/s | Min | Max | | |
| 1 | Short | 0 | 0 | 0 | 0 | | 22.548 | 50 | 3.554 | 0 | 999 | Coax | Short |
| 2 | Open | 29.72 | 165.78 | -3.54 | 0.07 | | 20.837 | 50 | 3.23 | 0 | 999 | Coax | Open |
| 3 | Load | | | | | Fixed | 0 | 50 | 3.554 | 0 | 999 | Coax | Broadband |
| 4 | Delay/thru | | | | | | 0 | 50 | 3.554 | 0 | 999 | Coax | Thru |
| 5 | Load ^d | | | | | Sliding | 0 | 50 | 3.554 | 3.999 | 999 | Coax | Sliding |
| 6 | Load | | | | | Fixed | 0 | 50 | 3.554 | 0 | 4.001 | Coax | Lowband |
| 7 | | | | | | | | | | | | | |
| 8 | | | | | | | | | | | | | |

- a. Ensure system Z₀ of network analyzer is set to this value.
- b. Open, short, load, delay/thru, or arbitrary impedance.
- c. Load or arbitrary impedance only.
- d. For use with Option 001 only.

Table A-15 Standard Definitions for the 872x Series with 2.92 mm Devices
Note: Table A-16, located on the next page, contains Updated Standard Definitions for the 872x Series with 2.92 mm Devices

| System $Z_0^a = 50.0 \Omega$ | | Calibration Label: [2.92*] | | | | | | | | | | | |
|------------------------------|-------------------|--------------------------------|-----------------------------------|-------------------------------------|-------------------------------------|-------------------------------|-------------|-------------------|-----------------------|------------------|-------|-------------------|----------------|
| Standard ^b | | $C0 \times 10^{-15} \text{ F}$ | $C1 \times 10^{-27} \text{ F/Hz}$ | $C2 \times 10^{-36} \text{ F/Hz}^2$ | $C3 \times 10^{-45} \text{ F/Hz}^3$ | Fixed ^c or Sliding | Offset | | | Frequency in GHz | | Coax or Waveguide | Standard Label |
| Number | Type | | | | | | Delay in ps | Z_0 in Ω | Loss in G Ω /s | Min | Max | | |
| 1 | Short | | | | | | -17.047 | 50 | 0 | 0 | 999 | Coax | Short |
| 2 | Open | 33.17 | -208.65 | 7.34 | -0.020 | | -18.764 | 50 | 0 | 0 | 999 | Coax | Open |
| 3 | Load | | | | | Fixed | 0 | 50 | 0 | 0 | 999 | Coax | Broadband |
| 4 | Delay/ thru | | | | | | -79.262 | 50 | 3.843 | 0 | 999 | Coax | Thru |
| 5 | Load ^d | | | | | Sliding | 0 | 50 | 0 | 3.999 | 999 | Coax | Sliding |
| 6 | Load | | | | | Fixed | 0 | 50 | 0 | 0 | 4.001 | Coax | Lowband |
| 7 | | | | | | | | | | | | | |
| 8 | | | | | | | | | | | | | |

- a. Ensure system Z_0 of network analyzer is set to this value.
- b. Open, short, load, delay/thru, or arbitrary impedance.
- c. Load or arbitrary impedance only.
- d. For use with Option 001 only.

Table A-16 Updated Standard Definitions for the 872x Series with 2.92 mm Devices

| Standard ^b | | Calibration Label: [2.92*] | | | | | | | | | | | |
|-----------------------|-------------------|----------------------------|-----------------------------|--|--|-------------------------------|-------------|---------------------|--------------|------------------|-----|-------------------|----------------|
| Number | Type | C0 × 10 ⁻¹⁵ F | C1 × 10 ⁻²⁷ F/Hz | C2 × 10 ⁻³⁶ F/Hz ² | C3 × 10 ⁻⁴⁵ F/Hz ³ | Fixed ^c or Sliding | Offset | | | Frequency in GHz | | Coax or Waveguide | Standard Label |
| | | | | | | | Delay in ps | Z ₀ in Ω | Loss in GΩ/s | Min | Max | | |
| 1 | Short | 0 | 0 | 0 | 0 | | -17.130 | 50 | 4.16 | 0 | 999 | Coax | Short |
| 2 | Open | 29.722 | 165.78 | -3.5385 | 0.071 | | -18.842 | 50 | 4.47 | 0 | 999 | Coax | Open |
| 3 | Load | | | | | Fixed | | 50 | | 0 | 999 | Coax | Broadband |
| 4 | Delay/thru | | | | | | 0 | 50 | 0 | 0 | 999 | Coax | Thru |
| 5 | Load ^d | | | | | Sliding | | 50 | | 0 | 999 | Coax | Sliding |
| 6 | Load | | | | | Fixed | | 50 | | 0 | 999 | Coax | Lowband |
| 7 | | | | | | | | | | | | | |
| 8 | | | | | | | | | | | | | |

- a. Ensure system Z₀ of network analyzer is set to this value.
- b. Open, short, load, delay/thru, or arbitrary impedance.
- c. Load or arbitrary impedance only.
- d. For use with Option 001 only.

Table A-17 Standard Definitions for the PNA Series with 2.92 mm Devices - Broadband Load

| System $Z_0^a = 50.0 \Omega$ | | | | Calibration Kit Label: Model 85056K 2.4 mm / 2.92 mm Broadband Load Cal Kit | | | | | | | | |
|------------------------------|---------------------|-------------------------------|-----------------------|---|---------------------------|-----------------------------|-----------------------------|-------------|--------------|------------------------|------------------|-----|
| Number | Label | Description | Connector/Sex | $C0 \times 10^{-18} F$ | $C1 \times 10^{-30} F/Hz$ | $C2 \times 10^{-39} F/Hz^2$ | $C3 \times 10^{-48} F/Hz^3$ | Offset | | | Frequency in GHz | |
| | | | | $L0 \times 10^{-12} H$ | $L1 \times 10^{-24} H/Hz$ | $L2 \times 10^{-33} H/Hz^2$ | $L3 \times 10^{-45} H/Hz^3$ | Delay in ps | $Z_0 \Omega$ | Loss in $G\Omega/s$ | Min | Max |
| | | | | Fixed / Sliding | Arbitrary Imp | Offset Load | | | | Ω Ω/s | | |
| 1 | BROAD BAND LOAD -M- | 2.4 mm male broad band load | 2.92 mm MALE | FIXED | OFF | OFF | | 0 | 50 | 0 | 0 | 999 |
| 4 | OPEN -M- | 2.4 mm male open | 2.92 mm MALE | 29.722 | 165.780 | 3.53850 | 0.071 | -18.842 | 50 | 4.47 | 0 | 999 |
| 9 | SHORT -M- | 2.4 mm male short | 2.92 mm MALE | 2.1636 | -146.35 | 4.0443 | -0.0363 | -17.128 | 50 | 4.16 | 0 | 999 |
| 12 | BROAD BAND LOAD -F- | 2.4 mm female broad band load | 2.92 mm FEMALE | FIXED | OFF | OFF | | 0 | 50 | 0 | 0 | 999 |
| 13 | OPEN -F- | 2.4 mm female open | 2.92 mm FEMALE | 29.722 | 165.780 | 3.53850 | 0.071 | -18.842 | 50 | 4.47 | 0 | 999 |
| 18 | SHORT -F- | 2.4 mm female short | 2.92 mm FEMALE | 2.1636 | -146.35 | 4.0443 | -0.0363 | -17.128 | 50 | 4.16 | 0 | 999 |
| 19 | THRU | 2.4 mm / 2.92 mm adapter pair | 2.92 mm FEMALE / MALE | | | | | .0001 | 50 | 0 | 0 | 999 |

- a. Ensure system Z_0 of network analyzer is set to this value.
b. Open, short, load, delay/thru, or arbitrary impedance.

Table A-18 Standard Definitions for the PNA Series with 2.92 mm Devices - Sliding Load

| System $Z_0^a = 50.0 \Omega$ | | | | Calibration Kit Label: Model 85056K01 2.4 mm / 2.92 mm Sliding Load Cal Kit | | | | | | | | |
|------------------------------|------------------------------|---|-------------------|---|---------------------------|-----------------------------|-----------------------------|----------------|-------------------|---|---------------------|-------|
| Standard ^b | | | | $C0 \times 10^{-18} F$ | $C1 \times 10^{-30} F/Hz$ | $C2 \times 10^{-39} F/Hz^2$ | $C3 \times 10^{-48} F/Hz^3$ | Offset | | | Frequency in GHz | |
| Number | Label | Description | Connector/Sex | $L0 \times 10^{-12} H$ | $L1 \times 10^{-24} H/Hz$ | $L2 \times 10^{-33} H/Hz^2$ | $L3 \times 10^{-45} H/Hz^3$ | Delay in ps | Z_0 Ω | Loss in $G\Omega/s$ Ω Ω/s | Min | Max |
| | | | | Fixed / Sliding | Arbitrary Imp | Offset Load | | | | | | |
| 1 | BROAD BAND LOAD -M- | 2.4 mm male broad band load | 2.92 mm MALE | FIXED | OFF | OFF | | 0 | 50 | 0 | 0 | 999 |
| 2 | SLIDING LOAD -M- | 2.4 mm male sliding load | 2.92 mm MALE | SLIDING | OFF | OFF | | 0 | 50 | 0 | 3.999 | 999 |
| 3 | LOW BAND LOAD -M- | 2.4 mm male low band load | 2.92 mm MALE | FIXED | OFF | OFF | | 0 | 50 | 0 | 0 | 4.001 |
| 4 | OPEN - M- | 2.4 mm male open | 2.92 mm MALE | 29.722 | 165.780 | 3.5385 | 0.071 | -18.842 | 50 | 4.47 | 0 | 999 |
| 9 | SHORT -M- | 2.4 mm male short | 2.92 mm MALE | 2.1636 | -146.35 | 4.0443 | -0.0363 | -17.128 | 50 | 4.16 | 0 | 999 |
| 10 | LOW BAND LOAD -F- | 2.4 mm female low band load | 2.92 mm FEMALE | FIXED | OFF | OFF | | 0 | 50 | 0 | 0 | 4.001 |
| 11 | SLIDING LOAD -F- | 2.4 mm female sliding load | 2.92 mm FEMALE | SLIDING | OFF | OFF | | 0 | 50 | 0 | 3.999 | 999 |

Table A-18 Standard Definitions for the PNA Series with 2.92 mm Devices - Sliding Load

| System $Z_0^a = 50.0 \Omega$ | | | | Calibration Kit Label: Model 85056K01 2.4 mm / 2.92 mm Sliding Load Cal Kit | | | | | | | | |
|------------------------------|---------------------------|---|-----------------------------|---|---------------------------|-----------------------------|-----------------------------|----------------|-------------------|---------------------------|---------------------|-----|
| Standard ^b | | | | $C0 \times 10^{-18} F$ | $C1 \times 10^{-30} F/Hz$ | $C2 \times 10^{-39} F/Hz^2$ | $C3 \times 10^{-48} F/Hz^3$ | Offset | | | Frequency in GHz | |
| Number | Label | Description | Connector/Sex | $L0 \times 10^{-12} H$ | $L1 \times 10^{-24} H/Hz$ | $L2 \times 10^{-33} H/Hz^2$ | $L3 \times 10^{-45} H/Hz^3$ | Delay in ps | Z_0 Ω | Loss in $G\Omega/s$ | Min | Max |
| | | | | Fixed / Sliding | Arbitrary Imp | Offset Load | Ω Ω/s | | | | | |
| 12 | BROAD BAND LOAD -F- | 2.4 mm female broad band load | 2.92 mm FEMALE | FIXED | OFF | OFF | | 0 | 50 | 0 | 0 | 999 |
| 13 | OPEN - F- | 2.4 mm female open | 2.92 mm FEMALE | 29.722 | 165.780 | 3.5385 | 0.071 | -18.842 | 50 | 4.47 | 0 | 999 |
| 18 | SHORT -F- | 2.4 mm female short | 2.92 mm FEMALE | 2.1636 | -146.35 | 4.0443 | -0.0363 | -17.128 | 50 | 4.16 | 0 | 999 |
| 19 | THRU | 2.4 mm / 2.92 mm adapter pair | 2.92 mm FEMALE / MALE | | | | | .0001 | 50 | 0 | 0 | 999 |

- a. Ensure system Z_0 of network analyzer is set to this value.
b. Open, short, load, delay/thru, or arbitrary impedance.

Table A-19 2.92 mm Connector Definitions for the PNA Series Analyzer - The following connector definitions are included in the files that contain both the broadband and sliding load definitions. For more information on connector definitions, see the PNA online help file topic “Modify Calibration Kits”

| Connector | Description | Sex | Media | Min Freq (MHz) | Max Freq (MHz) | Cutoff Freq (MHz) |
|-----------|-------------------|------|-------|----------------|----------------|-------------------|
| 2.92 mm | 2.92 mm MALE | Male | COAX | 0.0000 | 999000. 000 | 0.000 |
| 2.92 mm | 2.92 mm FEMALE | Male | COAX | 0.0000 | 999000. 000 | 0.000 |

Blank Forms

The standard definitions may be changed to meet your specific requirements. Table A-20 through A-22 are provided to record the modified standard definitions.

Table A-20 Blank Form for the 8510 Network Analyzer

| System $Z_0^a =$ _____ | | | | | | | | | | | | | Calibration Kit Label: _____ | |
|------------------------|------|------------------------|---------------------------|-----------------------------|-----------------------------|-------------------------------|--------|-------------------|----------------------|------------------|-----|-------------------|------------------------------|--|
| Disk File Name: _____ | | | | | | | | | | | | | | |
| Number | Type | Standard ^b | | | | Fixed ^c or sliding | Offset | | | Frequency in GHz | | Coax or Waveguide | Standard Label | |
| | | $C0 \times 10^{-15} F$ | $C1 \times 10^{-27} F/Hz$ | $C2 \times 10^{-36} F/Hz^2$ | $C3 \times 10^{-45} F/Hz^3$ | | Delay | Z_0 in Ω | Loss in G Ω/s | Min | Max | | | |
| | | $L0 \times 10^{-12} H$ | $L1 \times 10^{-24} H/Hz$ | $L2 \times 10^{-33} H/Hz^2$ | $L3 \times 10^{-42} H/Hz^3$ | | | | | | | | | |
| 1 | | | | | | | | | | | | | | |
| 2 | | | | | | | | | | | | | | |
| 3 | | | | | | | | | | | | | | |
| 4 | | | | | | | | | | | | | | |
| 5 | | | | | | | | | | | | | | |
| 6 | | | | | | | | | | | | | | |
| 7 | | | | | | | | | | | | | | |
| 8 | | | | | | | | | | | | | | |
| 9 | | | | | | | | | | | | | | |
| 10 | | | | | | | | | | | | | | |
| 11 | | | | | | | | | | | | | | |
| 12 | | | | | | | | | | | | | | |
| 13 | | | | | | | | | | | | | | |
| 14 | | | | | | | | | | | | | | |
| 15 | | | | | | | | | | | | | | |
| 16 | | | | | | | | | | | | | | |
| 17 | | | | | | | | | | | | | | |
| 18 | | | | | | | | | | | | | | |
| 19 | | | | | | | | | | | | | | |
| 20 | | | | | | | | | | | | | | |
| 21 | | | | | | | | | | | | | | |

- a. Ensure system Z_0 of network analyzer is set to this value.
- b. Open, short, load, delay/thru, or arbitrary impedance.
- c. Load or arbitrary impedance only.

Table A-21 Blank Form for the 872x Series Network Analyzer

| System $Z_0^a =$ _____ | | Calibration Label: _____ | | | | | | | | | | | |
|------------------------|------|--------------------------|---------------------------|--|--|-------------------------------|-------------|-------------------|-----------------------|------------------|-----|-------------------|----------------|
| Standard ^b | | C0 $\times 10^{-15}$ F | C1 $\times 10^{-27}$ F/Hz | C2 $\times 10^{-36}$ F/Hz ² | C3 $\times 10^{-45}$ F/Hz ³ | Fixed ^c or Sliding | Offset | | | Frequency in GHz | | Coax or Waveguide | Standard Label |
| Number | Type | | | | | | Delay in ps | Z_0 in Ω | Loss in G Ω /s | Min | Max | | |
| 1 | | | | | | | | | | | | | |
| 2 | | | | | | | | | | | | | |
| 3 | | | | | | | | | | | | | |
| 4 | | | | | | | | | | | | | |
| 5 | | | | | | | | | | | | | |
| 6 | | | | | | | | | | | | | |
| 7 | | | | | | | | | | | | | |
| 8 | | | | | | | | | | | | | |

- a. Ensure system Z_0 of network analyzer is set to this value.
- b. Open, short, load, delay/thru, or arbitrary impedance.
- c. Load or arbitrary impedance only.

Table A-22 Blank Form for the PNA Series Network Analyzer

| System $Z_0^a = 50.0 \Omega$ | | | | | | Calibration Kit Label: | | | | | | | | |
|------------------------------|------|--------------------------------|-----------------------------------|-------------------------------------|-------------------------------------|------------------------|-------------|--------------|-----------------------|------------------|-----|-------------------|----------------|--|
| Number | Type | $C0 \times 10^{-18} \text{ F}$ | $C1 \times 10^{-30} \text{ F/Hz}$ | $C2 \times 10^{-39} \text{ F/Hz}^2$ | $C3 \times 10^{-48} \text{ F/Hz}^3$ | Fixed or sliding | Offset | | | Frequency in GHz | | Coax or Waveguide | Standard Label | |
| | | $L0 \times 10^{-12} \text{ H}$ | $L1 \times 10^{-24} \text{ H/Hz}$ | $L2 \times 10^{-33} \text{ H/Hz}^2$ | $L3 \times 10^{-45} \text{ H/Hz}^3$ | | Delay in ps | $Z_0 \Omega$ | Loss in G Ω /s | Min | Max | | | |
| 1 | | | | | | | | | | | | | | |
| 2 | | | | | | | | | | | | | | |
| 3 | | | | | | | | | | | | | | |
| 4 | | | | | | | | | | | | | | |
| 5 | | | | | | | | | | | | | | |
| 6 | | | | | | | | | | | | | | |
| 7 | | | | | | | | | | | | | | |
| 8 | | | | | | | | | | | | | | |

- a. Ensure system Z_0 of network analyzer is set to this value.
- b. Open, short, load, delay/thru, or arbitrary impedance.

A

- adapters, 1-3
- Agilent Technologies
 - contacting, 5-3
 - warranty, -ii
- agreements
 - customer assistance, -ii
 - maintenance, -ii
- alcohol
 - isopropyl
 - as cleaning solvent, 3-16
 - part number, 6-4
 - precautions for use of, 3-16
- altitude
 - specifications, 2-2
- antistatic mat
 - part number, 6-4
- assistance
 - customer, -ii
 - who to contact, -ii

B

- blank form
 - standard class assignments, a-9
 - standard definitions, a-23
- box
 - pads
 - part numbers, 6-2
 - part number, 6-2
- broadband loads, 1-2
 - part numbers, 6-2
 - specifications, 2-5

C

- cal kit
 - documentation warranty, -ii
 - performance
 - verifying, 4-1
- calibration, 3-5
 - bad, 5-2
 - calibration plane, 3-5
 - certificate of, 4-3
 - definitions
 - entering, 1-3
 - permanently stored, 1-3
 - full 2-port overview, 3-6
 - measurement plane, 3-5
 - MIL-STD 45662, 4-3
 - report, 4-3
 - temperature, 2-2
 - types of calibration, 3-5
- calibration definitions disk
 - part number, 6-3
- calibration kit
 - contents, 1-2, 6-5
 - drawing of, 6-5
 - documentation warranty, -ii
 - overview, 1-2
 - performance

- how Agilent verifies, 4-2
 - verifying, 4-1
- case
 - part number, 6-2
- certificate of calibration, 4-3
- certification
 - of device specifications, 2-6
- characteristics
 - mechanical, 2-3
- class assignments
 - blank form, a-9
 - standard, a-3
- cleaning connectors, 3-16
- cleaning supplies, 1-4
 - part numbers, 6-4
- cleaning swabs, 3-16
 - part number, 6-4
- compressed air
 - for cleaning, 3-16
- connections, 3-27
 - ESD protection, 3-27
 - final, 3-27
 - preliminary, 3-27
 - separating, 3-31
 - sliding load, 3-29
 - using torque wrench, 3-27
- connector
 - cleaning, 3-16
 - damage, 3-3
 - defects, 3-3
 - female, 3-4
 - gage
 - accuracy, 3-18
 - handling, 3-18, 3-19, 3-22
 - part numbers, 6-4
 - use of, 3-18
 - zeroing, 3-18, 3-19, 3-22
 - gaging, 3-18, 3-19
 - to determine pin depth, 3-18
 - when to do, 3-19
 - mating plane surfaces, 3-17
 - cleaning, 3-17
 - sex, 1-5
 - slotless, 3-4
 - threads
 - cleaning, 3-16
 - visual inspection, 3-3
 - wear, 3-3
 - affect on electrical performance, 3-3
- connector gages, 1-3
- connector interface, 1-5
- contacting Agilent Technologies, 5-3
- contents
 - calibration kit, 6-5
 - drawing of, 6-5
 - incomplete
 - what to do, 1-4
- cord
 - grounding
 - part number, 6-4

Index

D

damage
 caused by electrostatic discharge, 3-2
 device, 3-3
 what to do, 1-4
data
 recertification, 4-3
defective connectors, 3-3
definitions
 standard, a-13
deviation from nominal phase, 2-5
device
 connecting, 3-27
 damage, 3-3
 disconnecting, 3-31
 handling, 3-33
 maintenance, 1-6
 performance
 verifying, 4-1
 specifications, 2-5
 certification of, 2-6
 traceability, 4-2, 4-3
 storage, 3-33
 temperature, 2-2
 visual inspection, 3-3
disconnections, 3-31
disk
 calibration definitions
 part number, 6-3
 specifications and performance verification
 part number, 6-3
document warranty, -ii

E

electrical specifications, 2-5
electrostatic discharge, *See* ESD
environmental
 regulations, 3-16
 requirements, 2-2
 specifications, 2-2
equipment required, 1-4
ESD, 3-2
 antistatic mat
 part number, 6-4
 heel strap
 part number, 6-4
 precautions, 3-16
 protection, 3-2
 setup, 3-2
 supplies, 3-2
 part numbers, 6-4
 wrist strap
 part number, 6-4

F

female connectors, 3-4
frequency
 specifications, 2-5
full size 2-port calibration, 3-6

G

gage
 connector, 1-4
 handling, 3-19, 3-22
 part numbers, 6-4
 zeroing, 3-19, 3-22
gaging
 connectors, 3-18, 3-19
 when to do, 3-19
 sliding loads, 3-22
 to determine pin depth, 3-18
grounding cord
 part number, 6-4

H

handling, 3-33
heel strap
 part number, 6-4
humidity
 specifications, 2-2

I

impedance
 system, a-13
 setting, a-13
incoming inspection, 1-4
inspection
 damage, 3-3
 female connectors, 3-4
 incoming, 1-4
 mating plane surfaces, 3-3
 visual, 3-3
interface terminology, 1-5
isopropyl alcohol
 as cleaning solvent, 3-16
 part number, 6-4
 precautions for use of, 3-16

K

kit
 contents, 1-2, 6-5
 drawing of, 6-5
 overview, 1-2

L

limits
 pin depth, 2-4
loads
 broadband, 1-2
 part numbers, 6-2
 sliding, 1-3

M

maintenance, 3-2
 agreements, -ii
 of devices, 1-6
 preventive, 1-6
making connections, 3-27

ESD protection, 3-27
precautions, 3-27
mat
 antistatic
 part number, 6-4
 conductive table
 part number, 6-4
mating plane surfaces
 cleaning, 3-17
 connector, 3-17
 inspection of, 3-3
mechanical characteristics, 2-3
 affect on electrical performance, 2-3
 verifying, 3-18
MIL-STD 45662
 calibration, 4-3

N

National Institute of Standards and Technology
(NIST), 2-6, 4-2
nitrogen
 for cleaning, 3-16
nominal standard definitions, a-13
numbers
 replaceable parts, 6-2
 serial, 1-5
 recording, 1-5

O

observed limits
 pin depth, 2-4
offset opens
 part numbers, 6-2
offset shorts
 part numbers, 6-2
offsets, 1-2
open-end wrench, 1-4, 3-31
 5/16 in
 part number, 6-4
 7-mm
 part number, 6-3
opens, 1-2
 part numbers, 6-2
 specifications, 2-5
options, 1-3
ordering
 parts, 6-2

P

pads
 box
 part numbers, 6-2
part numbers, 6-2
 of items in kit, 6-2
 of items not in kit, 6-4
parts
 included in kit, 6-2
 not included in kit, 6-2, 6-4
 ordering, 6-2

 replaceable, 6-2
performance verification
 fail, 5-2
pin depth, 2-3
 adjusting sliding load, 3-25
 affect on electrical performance, 2-4
 gaging to determine, 3-18
 observed limits, 2-4, 3-18
 protrusion, 2-3
 recession, 2-3
 typical values, 2-4
preventive maintenance, 1-6
protrusion
 pin depth, 2-3

R

recertification
 how to order, 4-3
 interval, 4-3
 what's included, 4-3
 where it's done, 4-3
recession
 pin depth, 2-3
regulations
 environmental, 3-16
replaceable parts, 6-2, 6-5
 drawing of, 6-5
report, calibration, 4-3
requirements
 environmental, 2-2
return
 kit or device to Agilent, 5-3
return loss
 specifications, 2-5

S

separating connections, 3-31
serial numbers, 1-5
 devices, 1-5
 recording, 1-5
service, 5-3
service tag, 1-4, 4-3, 5-3
set marks
 sliding load, 3-32
setup
 ESD protection, 3-2
sex, connector, 1-5
shorts, 1-2
 part numbers, 6-2
 specifications, 2-5
sliding load
 calibration, 3-32
 connecting, 3-29
 pin depth
 adjusting, 3-25
 set marks, 3-32
 sliding ring, 3-32
 using, 3-32
sliding loads, 1-3
 gaging, 3-22

Index

sliding ring
sliding load, 3-32
specifications, 2-2
altitude
operating, 2-2
storage, 2-2
certification of, 2-6
deviation from nominal phase, 2-5
device, 2-5
electrical, 2-5
environmental, 2-2
frequency, 2-5
humidity
operating, 2-2
storage, 2-2
return loss, 2-5
temperature, 2-2
torque wrench, 3-27
traceability, 4-2, 4-3
specifications and performance verification disk
part number, 6-3
standard class assignments, a-3
blank form, a-9
standard definitions, a-13, a-23
blank form, a-23
nominal, a-13
standards
international, 2-6
National Institute of Standards and Technology
(NIST), 2-6, 4-2
static
discharge, 3-2
electricity, 3-2
storage, 3-33
storage case
part number, 6-2
strap
heel
part number, 6-4
wrist
part number, 6-4
supplies
cleaning, 1-4
part number, 6-4
swabs
cleaning, 3-16
part number, 6-4
system impedance, a-13

T

tag
service, 1-4, 4-3, 5-3
temperature
affect on electrical performance, 2-2
calibration, 2-2
cautions about, 2-2
changes in, 2-2
device, 2-2
error-corrected, 2-2
measurement, 2-2

specifications, 2-2
operating, 2-2
storage, 2-2
verification and measurement, 2-2
test data, 4-3
threads
connector
cleaning, 3-16
threads, connector
inspecting, 3-3
tools
part numbers, 6-3
torque wrench, 1-4
part number, 6-3
specifications, 3-27
traceability
of device specifications, 4-2, 4-3
troubleshooting, 5-2

U

user's and service guide
part number, 6-3

V

verification
temperature, 2-2
visual inspection, 3-3

W

warranty, document, -ii
wear, connector, 3-3
affect on electrical performance, 3-3
wrench
7 mm open-end
part number, 6-3
open-end, 1-4, 3-28, 3-31
part number, 6-4
proper positioning of, 3-28
torque, 1-4, 3-27, 3-28, 3-29
part number, 6-3
precautions for use of, 3-29
proper use of, 3-29
wrist strap
part number, 6-4

Z

zeroing
connector gage, 3-19, 3-22