

Fluke 1750

Three-Phase Power Recorder

Technical Data

Never miss capturing a disturbance—with the exclusive threshold-free measurement system, it's automatic.

Capture every measurement, every event, on every cycle, all the time with the Fluke 1750 Power Recorder. Outstanding accuracy and resolution provide complete visibility into your installation or distribution system.



- **Power quality that meets the standard:** All measurements comply with IEC61000-4-30 standards for correct evaluation of all measured values including voltage, current, power, harmonics, flicker etc.
- **Quick and reliable configuration:** PDA wireless "front panel interface" provides the ability to verify setup without a laptop along with a window into what the instrument is recording, even in awkward test locations.
- **Threshold-free setup:** Apply thresholds after data is collected with Fluke Power Analyze Software so there is no need to worry about missed information due to incorrect set-up.
- **Captures everything:** Cross-channel and current triggering capture every measurement, on every channel, every time.

- **Intuitive PC software:** Easily analyze data and generate reports. Automated EN50160 reporting and compliance.
- **Plug and play:** Set up in minutes with self-identifying current probes and single-lead voltage connections.
- **No need to reconnect wires:** Swap channels internally with the wireless PDA or PC when connections are not correct.
- **Measure every parameter:** voltage and current on three phases, neutral, and ground.
- **5 MHz, 8000 Vpk waveform capture:** Get a detailed picture of even the shortest events.
- **Quickly retrieve data:** With included SD memory card or via the 100BaseT high-speed Ethernet connection.



Applications

Long-term analysis: Uncover hard-to-find or intermittent issues; monitor critical equipment, capturing power quality events to correlate with equipment malfunction

Power quality surveys: Quantify power quality throughout a facility, documenting results with professional reports

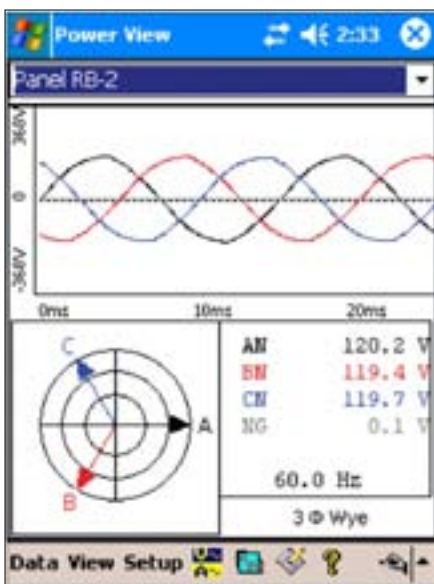
Quality of service compliance: Validate incoming power quality at the service entrance

Equipment Installation/Commissioning: Benchmark power system prior to install to insure quality of service

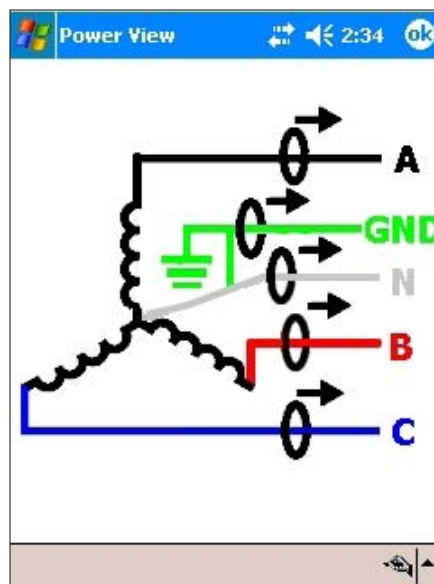
Easy to use

The recorder automatically detects, scales, and powers current probes without needing batteries. Requiring only single-lead voltage connections enables safe and quick setups. Once power is applied the instrument automatically begins recording and LEDs give you assurance that the recorder is powered up and signals are within range – no more uncertainty that data is being recorded. The Fluke 1750 has an exclusive capture algorithm which makes certain all events are captured without the tedious setups and blind spots associated with threshold driven equipment.

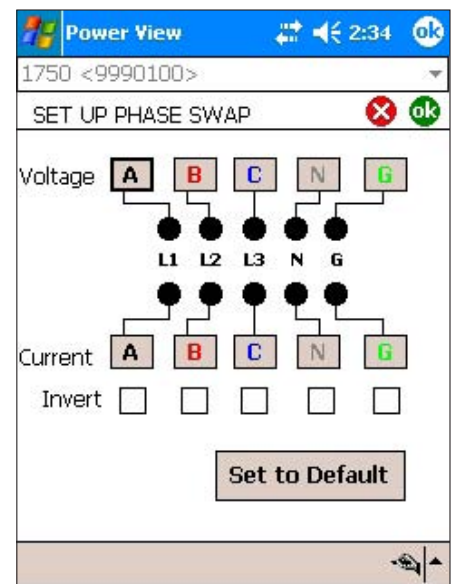
The PDA wirelessly interfaces with the recorder, allowing quick setup and verification with waveform displays, meter screens, and phasor diagrams. The built-in wireless technology allows you to control multiple instruments from a distance easily, without the need for a laptop computer (laptops can also be used when desired).



View measurements real-time with wireless PDA interface.



Configurations are simple with wiring diagrams to guide you.

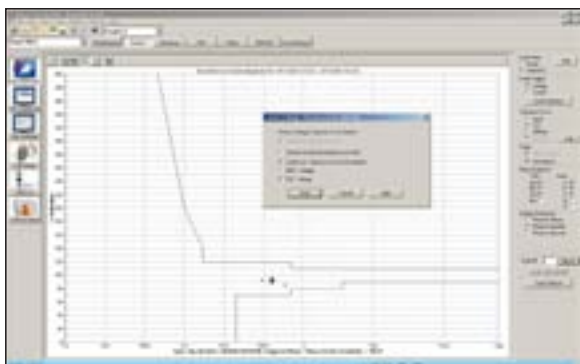


No need to reconnect wires—swap channels internally using the PDA interface.

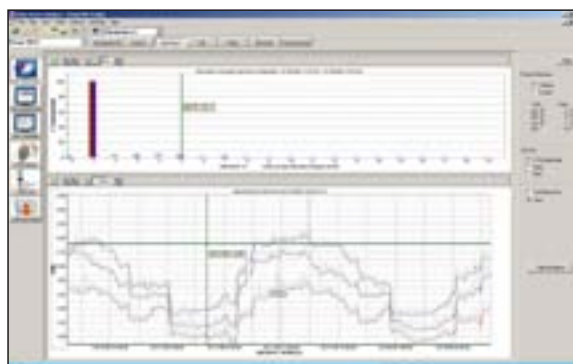
Comprehensive power system data

Every cycle on every channel is simultaneously sampled providing complete analysis of power quality, harmonics, power and energy. Cross-channel current and voltage triggering captures

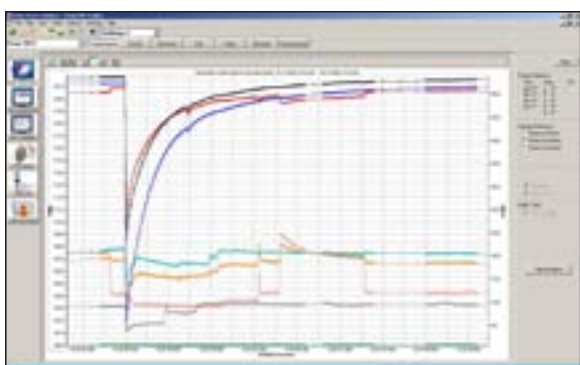
event data on all input channels simultaneously, no matter which channel triggered the event. When periodic analysis of the waveform may be needed, the Snapshot mode captures waveforms at user-defined intervals. Even dc signals can be recorded!



Events can be displayed against a variety of tolerance curves.



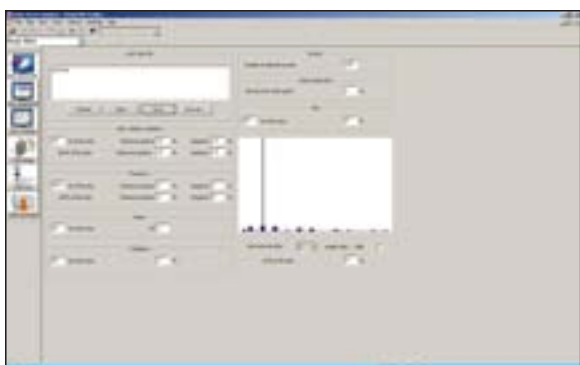
Full FFT on each channel to the 50th harmonic.



Display multiple parameters simultaneously on one graph.



Full-featured power meter display for each channel and totals.



Thresholds for the EN50160 report are easily customized.



EN50160 report delivers an easy to read pass or fail chart along with drill down data.

Powerful data management

Data is automatically stored on the internal flash memory that can store records for over a month without compression or overwriting. Data is retrieved via one of two quick and easy options: download the data onto the included SD memory

card without using your laptop, or transfer directly to your computer via Ethernet, using TCP/IP protocol.

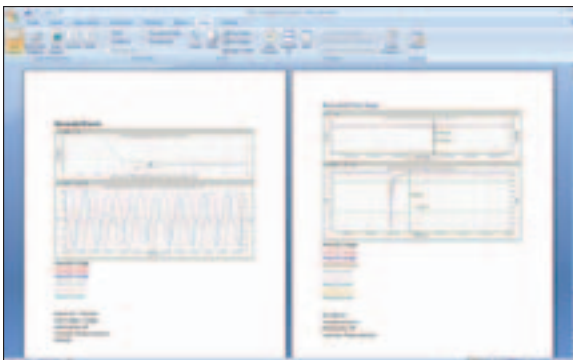
Voice, data, and picture annotations can be made via the PDA to flag important points in the data stream. Imagine being able to flag in your recorded data when a transfer switch was operated, or load changes were made.

View data the way you want

The new Fluke Power Analyze software revolutionizes your ability to analyze data. No need to worry about thresholds—with Fluke Power Analyze, thresholds can be modified after the data is recorded! And the easy-to-use user interface will display voltage as a phase-to-phase or phase-to-neutral reading.



Apply thresholds to data after collection using a variety of standard or customized templates.



Simplified report writer feature included in Fluke Power Analyze.



All the latest power quality standards are built-in

IEC 61000-4-30 compliant measurement systems provide the confidence that all parameters are measured and calculated consistently with international standards. Automated EN50160 compliance reporting for rapid Pass/Fail testing.

600 V CAT IV and 1000 V CAT III safety rating

Designed to help protect you and your equipment, the Fluke 1750 Three-Phase Power Recorder and accessories are all certified to meet the stringent safety standards for use in 600 V CAT IV and 1000 V CAT III environments. They are the first tools of their kind to carry the CAT IV rating and, therefore, can be used for most power connections and for all outlets in a low-voltage power distribution system.

Optional Accessories

Fluke power quality current transformers and flexible current probes are specially designed to work seamlessly with Fluke power monitors (1750 and 1650). All clamp-on and flexi-CT's are matched to take full advantage of your instrument's ability to set scale factors for accurate readings.



Cases

1750/CASE Transit Case

- Rugged water tight transit case with rollers

| Model No. | CT Type | Current Range | Accuracy | Frequency Response | Jaw Opening |
|-----------|----------|---------------|--------------------|--------------------|-----------------------|
| 3005-PR | Clamp-On | 0.01 A to 5 A | 1 % RDG ± 0.5 % FS | 5 kHz | 2 cm (.78 in) dia. |
| 3014-PR | Clamp-On | 0.1 A to 40 A | 1 % RDG ± 0.1 % FS | 5 kHz | 2 cm (.78 in) dia. |
| 3140R | Clamp-On | 2 A to 400 A | 2 % RDG ± 0.04 A | 20 kHz | 3.2 cm (1.25 in) dia. |

Miscellaneous

1750/MC

- Additional SD Memory Card for Fluke 1750

1750/SEAT-L

- Fluke Power Analyze – Additional SEAT LICENSE
- One additional license for installation on one additional PC



1750/SITE-L

- Fluke Power Analyze – Additional SITE LICENSE
- Site license for installation on unlimited PCs

4006 Security Cable

- 1.8 m (6 ft) looped lockable steel cable for securing monitor

| Model No. | CT Type | Current Range | Accuracy | Frequency Response | Probe Length |
|-----------|----------|-----------------|---------------------|--------------------|----------------|
| 3110-PR | Flexi-CT | 2 A to 100 A | 1 % rdg ± 0.5 % FS | 7 kHz | 60 cm (24 in) |
| 3210-PR | Flexi-CT | 20 A to 1000 A | 1 % rdg ± 0.15 % FS | 7 kHz | 60 cm (24 in) |
| 3310-PR | Flexi-CT | 100 A to 5000 A | 1 % rdg ± 0.15 % FS | 7 kHz | 60 cm (24 in) |
| 3312-PR | Flexi-CT | 100 A to 5000 A | 1 % rdg ± 0.15 % FS | 7 kHz | 120 cm (48 in) |

Specifications for the System: Recorder and Power Analyze Software

General

| Power quality measurement standards | |
|--|--|
| Conformance | IEC 61999-1-4 Class 1, IEC 61000-4-30, IEEE519, IEEE1159, IEEE1459 and EN50160 |
| Clock/calendar | Leap years, 24-hour clock |
| Real-time clock accuracy | Not more than ± 1 s/day |
| Internal memory capacity for data | At least 2 GB |
| Maximum recording period | At least 31 days |
| Measurement time control | Automatic |
| Maximum number of events | Limited only by the size of the internal memory |
| Power requirements | 100 to 240 V rms ± 10 %, 47-63 Hz, 40 W |
| Operating time during interruptions (internal UPS operation) | 5 minutes per interruption, 60 minutes total operating time without recharging |
| Dimensions | 215 mm x 310 mm x 35 mm (8.5 in x 12.2 in x 3.5 in) |
| Mass (weight) | 6.3 kg (14 lb) |

Input

| | |
|-------------------------------|--|
| Measurement types | One Phase Plus Neutral, One Phase IT No Neutral, One Phase Split Phase, Three Phase Wye, Three Phase Delta, Three Phase IT, Three Phase High Leg, Three Phase Open Leg, 2 Element Delta, 2 $\frac{1}{2}$ Element Wye |
| Input channels | Voltage: 4 channels, ac/dc Current: 5 channels |
| Voltage channels | Input resistance: 2 M Ω Input capacitance: < 20 pF |
| Current input characteristics | 2 V rms = full scale, 1 M Ω Input Impedance for ferro CTs, low impedance for Flexi-CTs |
| Measuring method | Simultaneous digital sampling of voltage and current. Digital PLL synchronized sampling, internal frequency reference used during voltage drops. |

Synchronization and sampling

| | |
|----------------------------|--|
| PLL-synchronization source | The PLL synchronizes to the A-N voltage for wye power types, and to the A-B voltage for delta power types. All listed power types can be characterized as either wye or delta. |
| PLL lock range | 42.5 to 69 Hz |
| Sampling frequency | Voltage and current: 256 samples/cycle Inter-harmonics per IEC 61000-4-7: 2560 points/10 cycles (50 Hz), 3072 points/12 cycles (60 Hz) Transient Voltage: 5 MHz |
| A/D resolution | Voltage and current: 24 bits Transient voltage: 14 bits |

Voltage and current measurements

| | |
|---------------------------|--|
| Voltage measurement range | AC voltage: 1000 V rms ± 10 % over range DC voltage: ± 1000 V + 10 % over range |
| Voltage crest factor | 3 or less |
| Current measurement range | Depends on current probe used |
| Current crest factor | 4 or less |

Voltage and current measurement accuracy

| RMS voltage | |
|-------------------------|---|
| Measurement type | True rms calculated continuously: every cycle, every 1/2 cycle, and every 10 or 12 cycles at 50 or 60 Hz respectively, as required by IEC 61000-4-30. |
| Measurement uncertainty | AC: ± 0.2 % reading ± 0.1 % full scale, above 50 V rms DC: ± 0.5 % reading ± 0.2 % full scale, above 50 V dc |
| RMS current | |
| Measurement type | True rms calculated continuously: every cycle, every 1/2 cycle, and every 10 or 12 cycles at 50 or 60 Hz respectively, as required by standards |
| Measurement uncertainty | <i>Ferromagnetic Clamps</i> : $\pm (0.1$ % full scale + 0.2 % reading + current sensor accuracy), valid for 5 % to 100 % of current sensor range <i>Flexible Current Probes</i> : $\pm (0.1$ % full scale + 0.5 % reading + current sensor accuracy), valid for 5 % to 100 % of current sensor range |

Transient voltage (impulse)

| | |
|-------------------------|--|
| Measurement type | Waveshape sampling |
| Full scale | 8000 V pk |
| Sample resolution | 200 nS |
| Measurement uncertainty | ± 5 % reading ± 20 V (test parameters: 1000 V dc, 1000 V rms, 100 kHz) |

Dip (Sag) and Swell Measurements

| | |
|---------------------------------------|---|
| Voltage swell (rms swell) | |
| Measurement type | True rms (one cycle calculation by overlapping each half cycle - voltage between lines is measured for 3P3W lines and phase voltage is measured for 3P4W lines) |
| Displayed data | Amplitude and duration of swell |
| Measurement uncertainty | Same as rms voltage |
| Voltage dip (rms sag) | |
| Measurement type | True rms (one cycle calculation by overlapping each half cycle - voltage between lines is measured for 3P3W lines and phase voltage is measured for 3P4W lines) |
| Displayed data | Amplitude and duration of dip or interruption |
| Measurement uncertainty | Same as rms voltage |
| Voltage dropout (interruption) | |
| Measurement type | Same as voltage dip |

Power Measurements

| | |
|--|---|
| Calculated per IEEE1459 for best performance when distortion is present | |
| Measurement type | True rms calculated continuously: every cycle, and every 10 or 12 cycles at 50 or 60 Hz respectively, as required by standards |
| Measurement accuracy | +/- (voltage uncertainty + current uncertainty + current probe uncertainty) |
| Frequency | |
| Measurement range | 42.5 to 69 Hz |
| Measurement source | Same as PLL synchronization source |
| Measurement accuracy | ± 10 mHz (10 to 110 % of range, with sine wave) |
| Power factor | |
| Measurement range | 0.000 to 1.000 |
| Measurement accuracy | ± 1 digit from the calculation of each measured value (±3 digits for total) |
| Displacement power factor | |
| Measurement method | Calculated from the phase difference between voltage fundamental and current fundamental |
| Measurement range | - 1.000 (leading) to + 1.000 (lagging) |
| Measurement accuracy | ± 0.5 % reading ± 2 % full scale ± 1 digit |
| Voltage unbalance and phase sequence | |
| Measurement method | Positive sequence voltage divided by negative sequence voltage, per IEC 61000-4-30 |
| Harmonic voltage and current | |
| Analysis window | rectangular |
| Analysis order | 1st to 50th order |
| Measurement accuracy | Voltage / Current: 1st to 20th orders: ± 0.5 % reading ± 0.2 % full scale, 21st to 50th orders: ± 1 % reading ± 0.3 % full scale (current sensor accuracy must be included for current and power) |
| Measurement method | IEC 61000-4-7 |
| Inter-harmonic voltage and current (intermediate harmonics) | |
| Analysis window | rectangular |
| Analysis orders | 1.5 to 49.5th order |
| Measurement method | IEC 61000-4-7 |
| Voltage flicker | |
| Measurement method | as per EN 61000-4-15:2003: 10 min (Pst), 2 h (Plt) |

External Interface Specifications

| | |
|--------------------------------------|--------------------------|
| LAN interface | |
| Connector | RJ-45 |
| Speed and type | 10/100 Base-T, auto MDIX |
| Communications protocol | TCP/IP over Ethernet |
| Wireless controller interface | |
| Connection | wireless (2.4 GHz radio) |
| Speed | up to 700 kbit/second |
| Communications protocol | Bluetooth SPP |

Environmental and safety specifications

| | |
|--------------------------------------|--|
| Operating environment | Indoors or in covered area outdoors, up to 2000 m altitude (for compliance to IEC61010 standard) |
| Storage temperature and humidity | -20 °C to 50 °C, 80 % RH max, non-condensing |
| Operating temperature and humidity | 0 °C to 40 °C, 80 % RH max, non-condensing |
| Maximum rated working voltage | |
| Voltage terminals | 1100 V rms |
| Voltage durability | 5550 V rms ac for 1 minute, between voltage input terminals, voltage input terminals and current probes, and voltage input terminals and case (50/60 Hz, 1 mA sense current) |
| Enclosure protection | IP30 (per EN 60529) |
| Standards conformance | |
| EMC | EN 61326-1:1997+A1:1998 Class A EN 61000-3-2:1995+A1:1998+A2:1998 EN 61000-3-3:1995 |
| Safety | EN 61010-1 2nd Edition; 2000 Voltage input unit: Contamination Level 2, Overvoltage Category 1000 V CAT III, 600 V CAT IV (anticipated overvoltage: 8000 V) |

Ordering information

Fluke-1750 Three-Phase Power Recorder

Includes:

- 1750 acquisition unit
- PDA wireless "front panel interface" and charger power plug adapters
- 4 - 400 A current probes (3140R)
- 5 test leads and clips

- SD memory card
- Fluke Power View and Fluke Power Analyze software
- Power cord with international plug set
- Ethernet cable
- Color localization set
- Printed Getting Started manual
- Product CD with software and users manual PDF
- Soft carrying case

Fluke-1750 Three-Phase Basic Power Recorder

Includes items above with the exception of the 4 - 400 A current probes (3140R)

To learn more, contact Power Quality customer support, in Seattle, WA, USA at **1-888-257-9897** or e-mail fpqsupport@fluke.com.

Fluke. Keeping your world up and running.®



Fluke offers a full suite of power quality test tools to locate, predict, prevent and troubleshoot power problems.

- Handheld troubleshooters for instant analysis
- Ready-to-use power loggers
- Comprehensive power quality recorders
- Power calibrators and standards backed by Fluke metrology expertise

The Fluke power quality set of products offers the highest level of performance and maintains the Fluke promise of rugged and reliable test tools.

Fluke Corporation
PO Box 9090, Everett, WA 98206 U.S.A.

Fluke Europe B.V.
PO Box 1186, 5602 BD Eindhoven, The Netherlands

For more information call:
In the U.S.A. (800) 443-5853 or Fax (425) 446-5116
In Europe/M-East/Africa +31 (0) 40 2675 200 or Fax +31 (0) 40 2675 222
In Canada (800)-36-FLUKE or Fax (905) 890-6866
From other countries +1 (425) 446-5500 or Fax +1 (425) 446-5116
Web access: <http://www.fluke.com>

©2006-2009 Fluke Corporation. Windows® is a registered trademark of Microsoft Corporation. Specifications subject to change without notice. Printed in U.S.A. 10/2009 2428201F D-EN-N

Modification of this document is not permitted without written permission from Fluke Corporation.