

Keysight E-Mobility Solutions

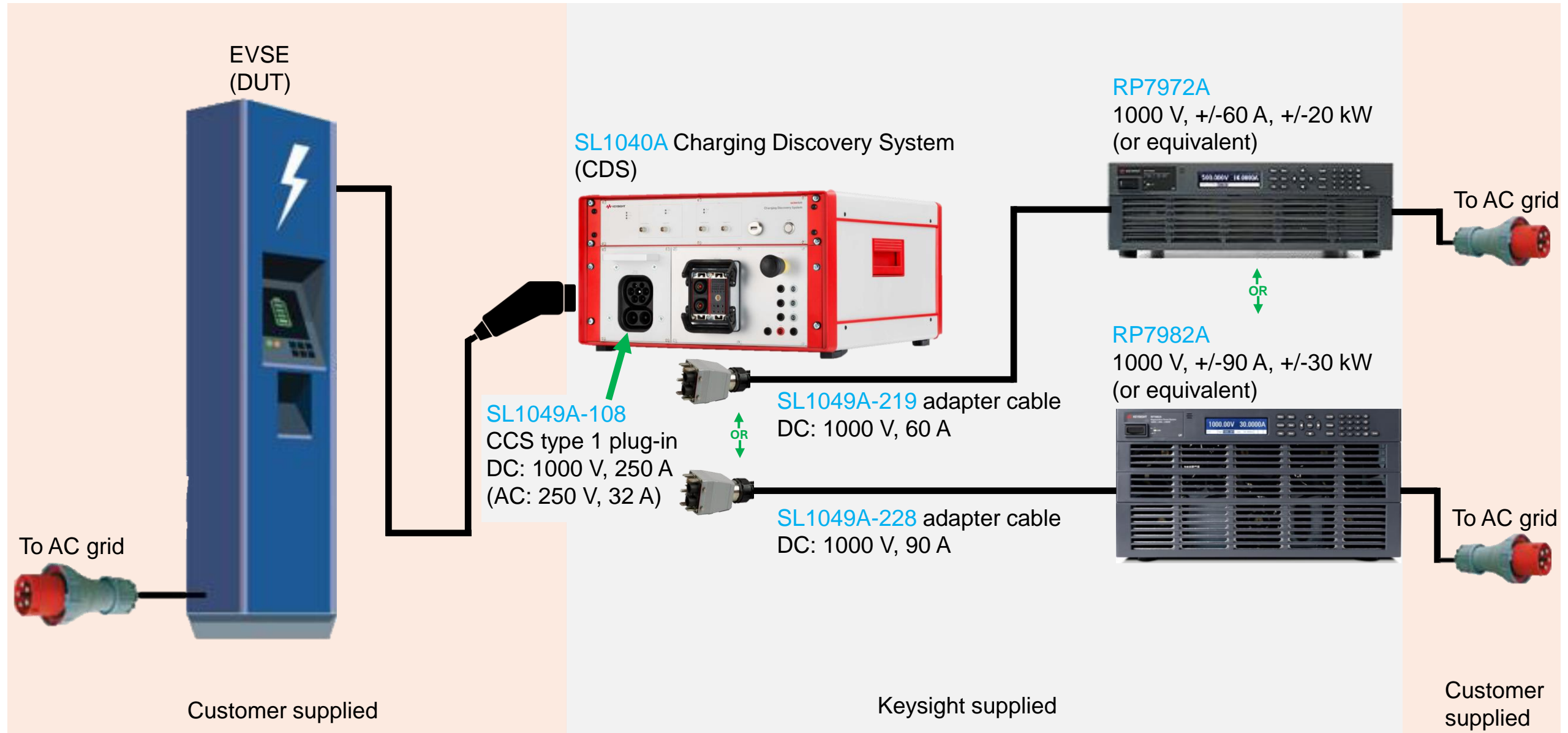
Charging Discovery System (CDS): Sample hardware configurations

Sample CDS hardware configurations

Here is what is covered in this material

- SL1040A – Portable CDS
 - CCS type 1 DC
 - EVSE test - single RP79xxA models
 - EVSE test - paralleled RP79xxA models
 - EV test - single RP79xxA models
 - EV test - paralleled RP79xxA models
 - MitM test

EVSE Test: CCS type 1 DC for North America (single RP79xxA models)



EVSE Test: CCS type 1 DC for North America (single RP79xxA models)

SL1049A-108: EVSE CCS type 1 plug-in



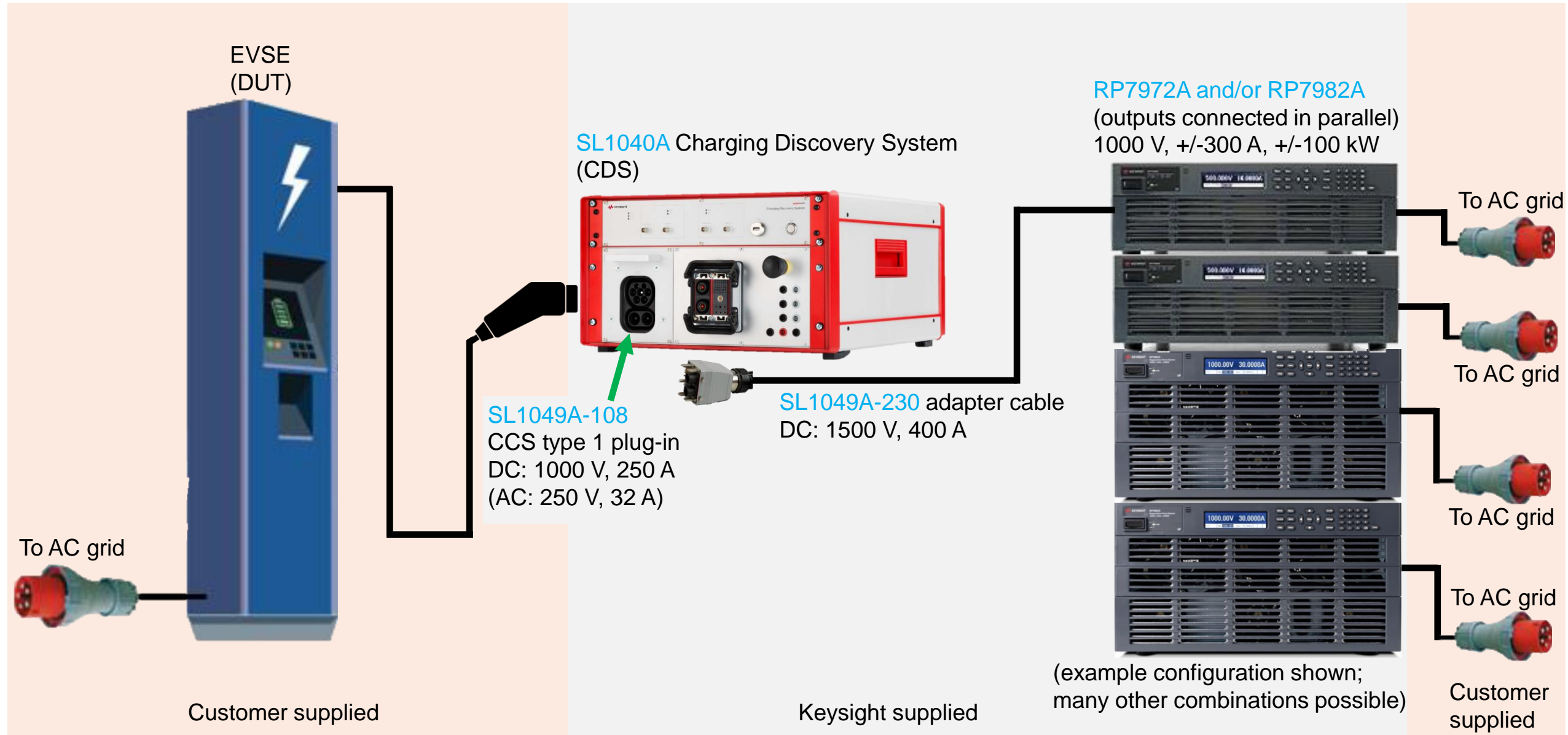
SL1049A-219: RP7972A adapter cable (1000 V, 60 A)



SL1049A-228: RP7982A adapter cable (1000 V, 90 A)



EVSE Test: CCS type 1 DC for North America (paralleled RP79xxA models)



EVSE Test: CCS type 1 DC for North America (paralleled RP79xxA models)

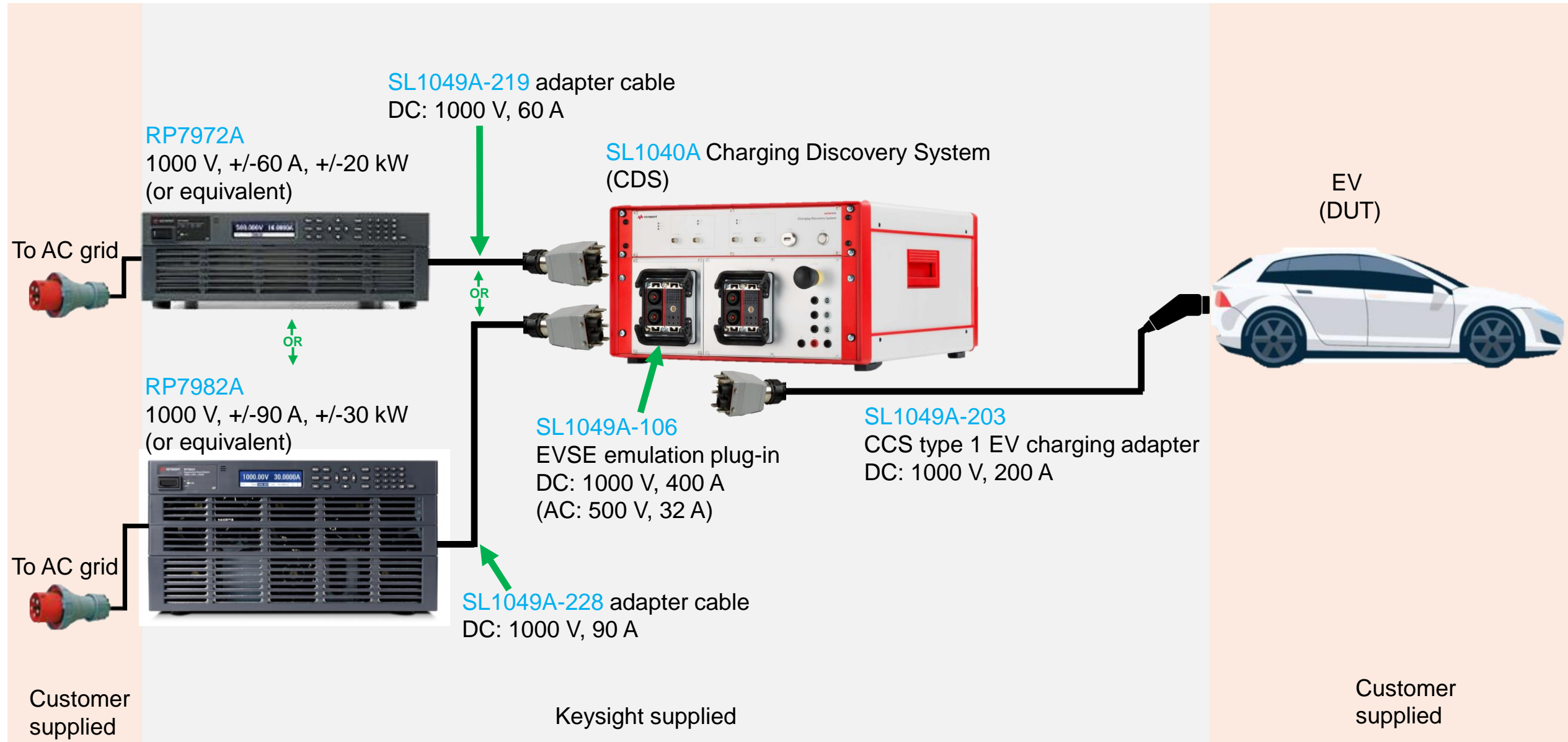
SL1049A-108: EVSE CCS type 1 plug-in



SL1049A-230: Paralleled RP79xxA
adapter cable (1500 V, 400 A)



EV Test: CCS type 1 DC for North America (single RP79xxA models)

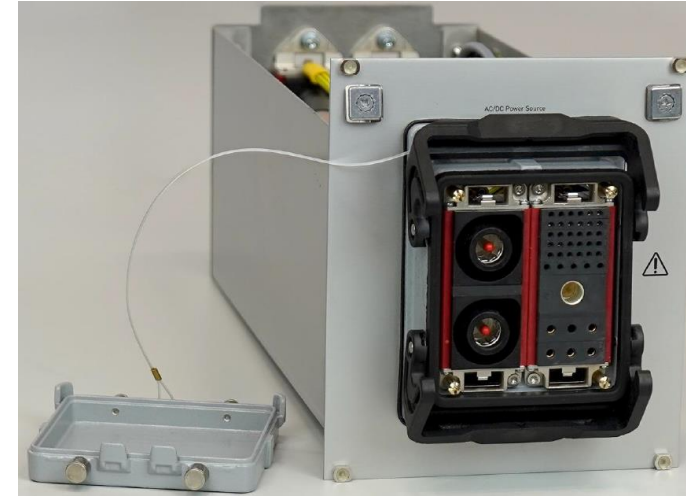


EV Test: CCS type 1 DC for North America (single RP79xxA models)

SL1049A-219: RP7972A adapter cable (1000 V, 60 A)



SL1049A-106: EVSE emulation plug-in



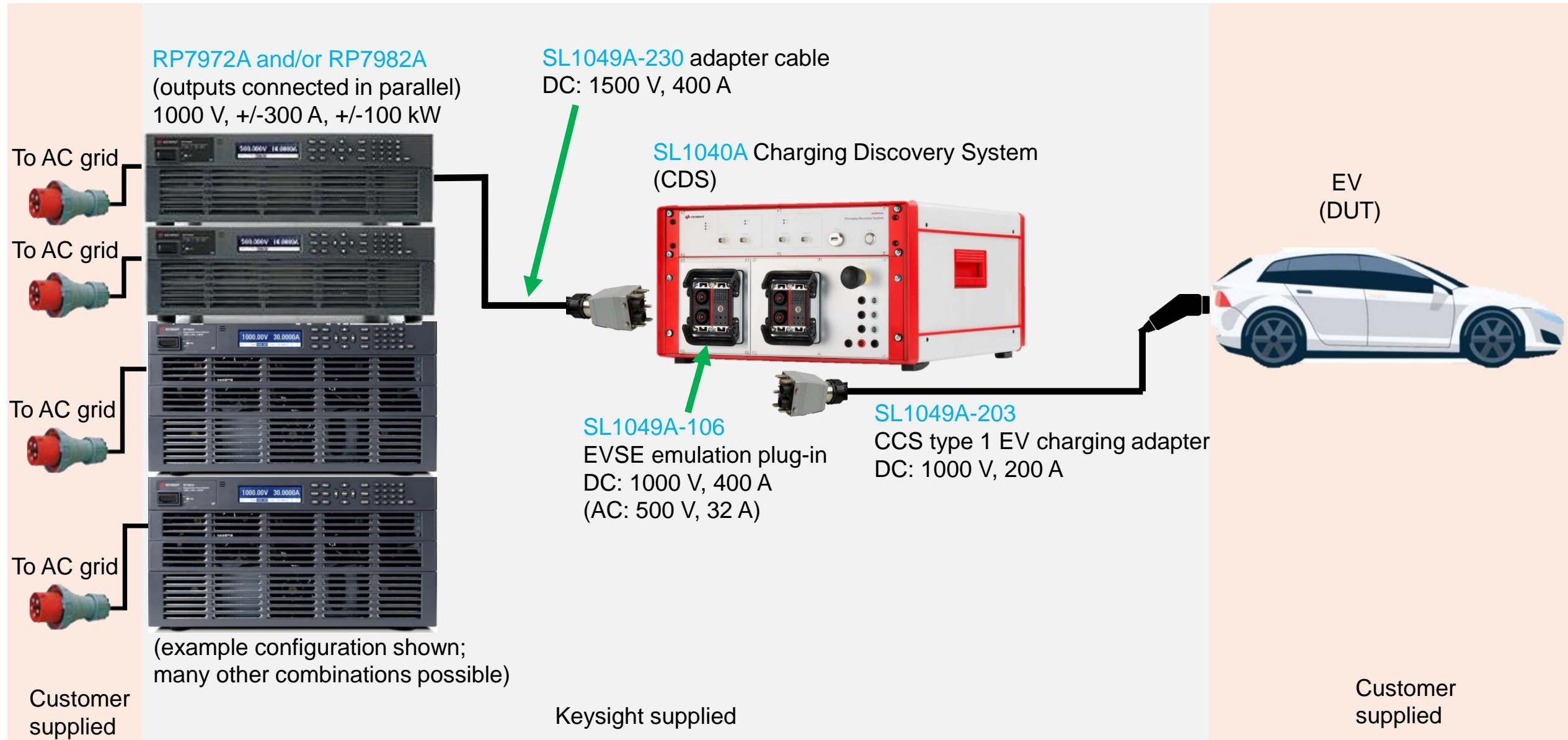
SL1049A-228: RP7982A adapter cable (1000 V, 90 A)



SL1049A-203: CCS type 1 EV charging adapter (1000 V, 200 A)



EV Test: CCS type 1 DC for North America (paralleled RP79xxA models)

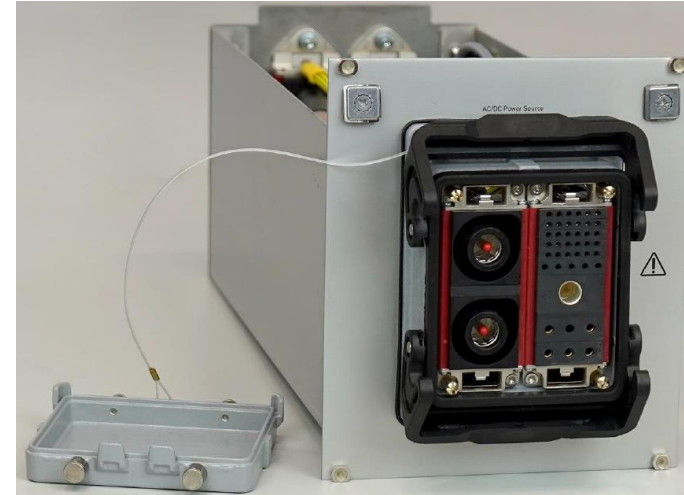


EV Test: CCS type 1 DC for North America (paralleled RP79xxA models)

SL1049A-230: Paralleled RP79xxA adapter cable (1500 V, 400 A)



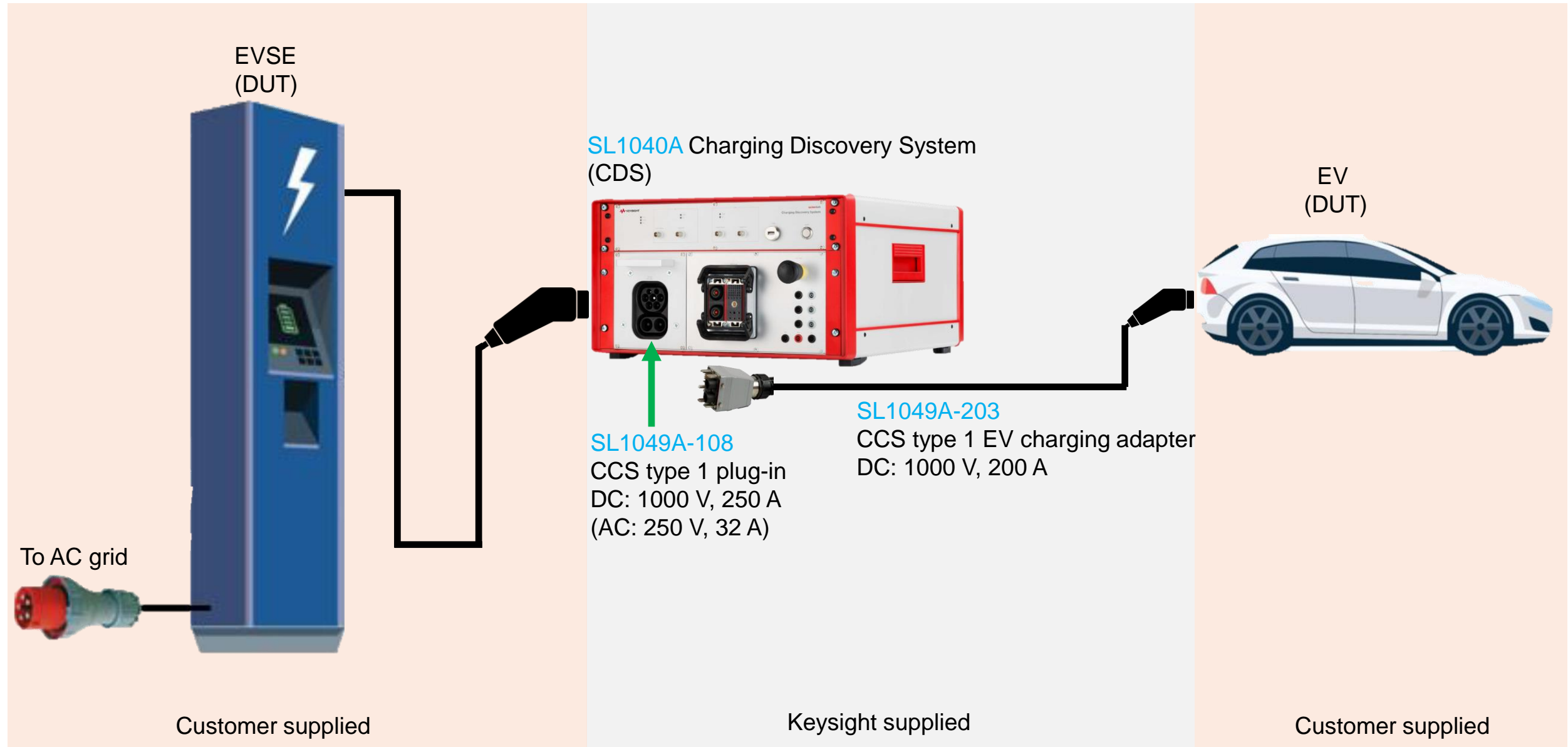
SL1049A-106: EVSE emulation plug-in



SL1049A-203: CCS type 1 EV charging adapter (1000 V, 200 A)



Man-in-the-middle Test: CCS type 1 DC for North America



Man-in-the-middle Test: CCS type 1 DC for North America

SL1049A-108: EVSE CCS type 1 plug-in



SL1049A-203: CCS type 1 EV charging adapter (1000 V, 200 A)



